



Standard Framed Sliding Bath Door 690B-56

Features

- Framed
- 1/8" glass
- Towel bar
- Out-of-plumb adjustability
- Tempered glass ensures maximum safety and durability
- Anodized aluminum prevents rusting and corrosion

Installation

- Not for use in hospitality.
- For residential use only.

Included Components

Additional Components:
Hardware kit



Codes/Standards

ANSI Z97.1
CPSC 16CFR 1201

STERLING® Warranty - Bath and Shower Doors

See website for detailed warranty information.

Available Colors/Finishes

Color tiles intended for reference only.

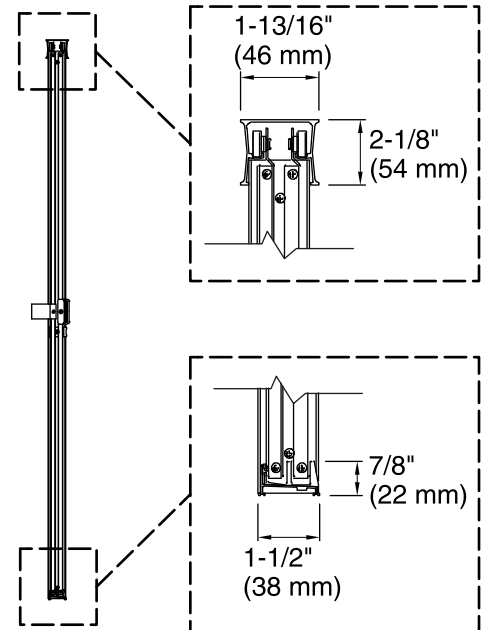
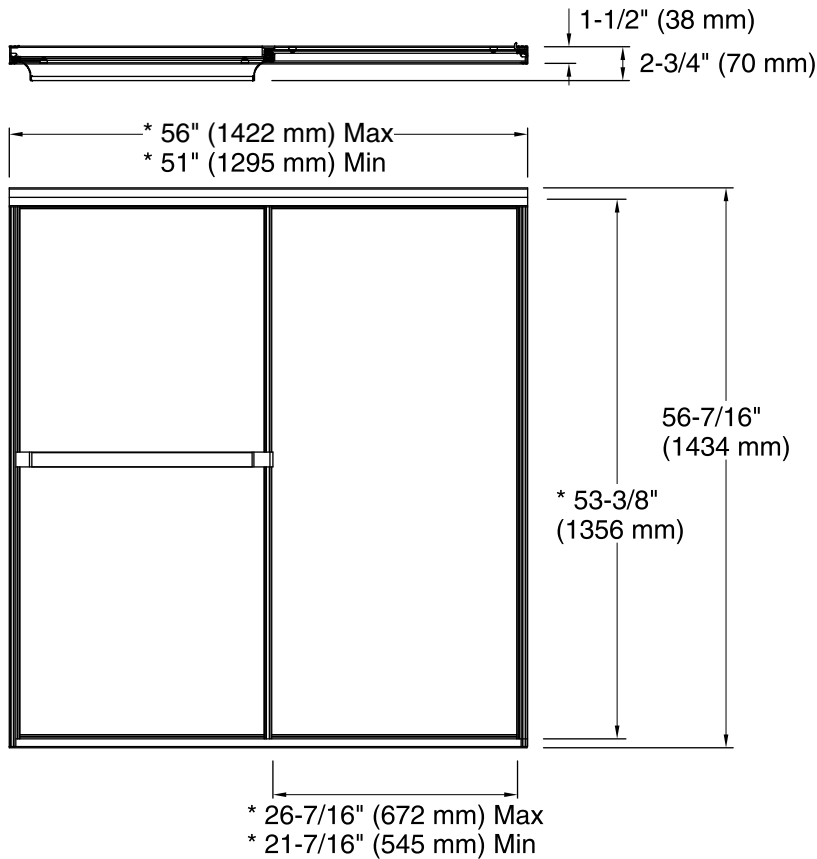
Color	Code	Description
-------	------	-------------

	S	
--	---	--

Available Glass Options

Code	Description
------	-------------

	Hammered
--	----------



* Walk-through

Technical Information

All product dimensions are nominal.

Installation type: For bath installation

Opening Width - Min: 51" (1295 mm)

Opening Width - Max: 56" (1422 mm)

Walk-through - Min: 21-7/16" (545 mm)

Walk-through - Max: 26-7/16" (672 mm)

Glass thickness: 1/8" (3 mm)

Notes

Install this product according to the installation guide.

The vertical opening should be a minimum of 57-15/16" (1472 mm) to allow for installation clearance.