

Features

- Injection-molded polypropylene plastic
- Can be positioned on right side of shower or removed completely
- 12" deep, 16" tall
- Holds up to 300 lbs.

Recommended Products/Accessories

- 80001012 12" Grab Bar
- 80001018 18" Grab Bar
- 80001024 24" Grab Bar
- 80011032 32" Grab Bar
- 80001036 36" Grab Bar
- 80012222 22" Grab Bar
- 72280100 48" Seated Shower
- 72280103-N 48" Seated Shower with Grab Bars
- 72280103-V 48" Seated Shower with Grab Bars
- 72280106 48" Seated Shower w/Backer Boards
- 72281100 48" Seated Shower Base
- 72284100 48" Complete Wall Set
- 72284103-N 48" Seated Shower Wall Set w/Grab Bars
- 72284103-V 48" Seated Shower Wall Set w/ Grab Bars
- 72284106 48" Complete Wall Set with Backers
- 72290100 60" Seated Shower
- 72290103-N 60" Seated Shower with Grab Bars
- 72290103-V 60" Seated Shower with Grab Bars
- 72290106 60" Seated Shower w/Backer Boards
- 72291100 60" Seated Shower Base



Codes/Standards



CSA B45.5/IAPMO Z124

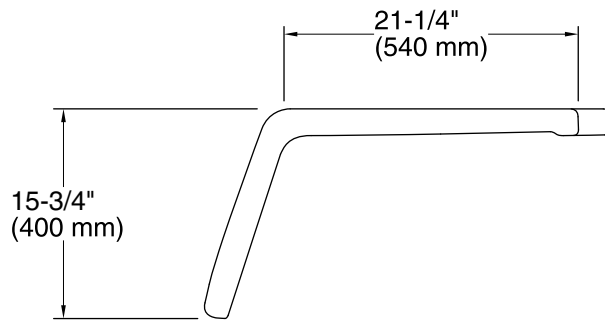
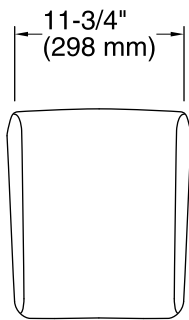
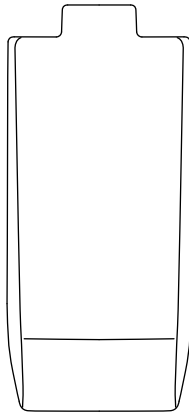
Warranty – Bathing Fixtures (and) Kitchen and Utility Sinks Made of Solid Vikrell® Material

See website for detailed warranty information.

Available Colors/Finishes

Color tiles intended for reference only.

| Color | Code | Description |
|--|------|----------------|
|  | 0 | White |
|  | 96 | KOHLER Biscuit |



Technical Information

All product dimensions are nominal.