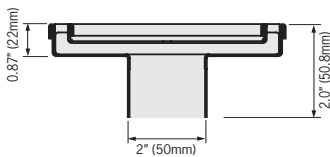
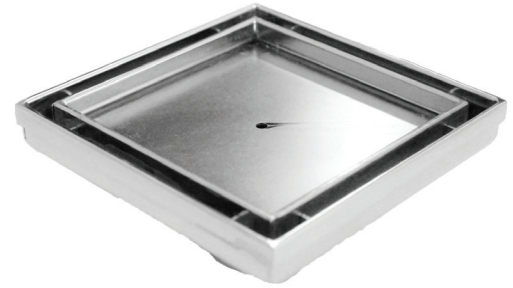
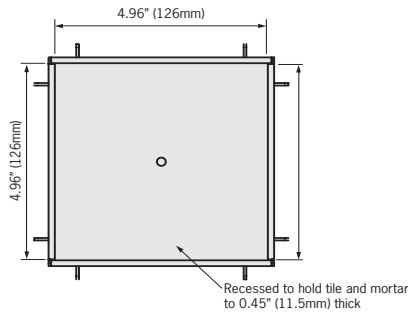
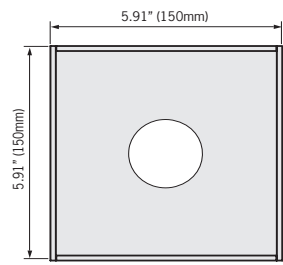


Stainless Steel ShowerPoint Drain - Tile



Product

	<i>All stainless steel ShowerPoint Drain - Tile inlay (does not include 2" threaded coupling)</i>	<i>PVC Drain flange coupling</i>
Part No.	37229	93871
Weight (lbs)	2.0	1.1

Specification Clause

The QuARTz ACO ShowerPoint shower outlet body and tile inlay grate shall be stainless steel grade 304 as manufactured by ACO Polymer Products, Inc. USA. The tile inlay grate shall provide a 0.45" (11.5mm) deep recess to accommodate tile to match surrounding floor tiles. Water shall drain via a 0.33" (8.5mm) slot between the grate and frame of the body on all four sides.

Shower outlet shall be 5.91" (150mm) square, with 50mm (2.0") diameter spigot (O.D.).

Installs using two-piece drain flange and flexible PVC sleeve.

ACO recommends checking local plumbing codes prior to installation.

The system shall be installed in accordance with the manufacturer's instructions and recommendations.

ACO Polymer Products, Inc.

West Sales Office
 825 W. Beechcraft St.
 Casa Grande, AZ 85122
 Tel: (520) 421-9988
 Toll Free: (888) 490-9552
 Fax: (520) 421-9899

East Sales Office
 9470 Pinecone Dr.
 Mentor, OH 44060
 Tel: (440) 639-7230
 Toll free: (800) 543-4764
 Fax: (440) 639-7235

Southeast Sales Office
 4211 Pleasant Rd
 Ft. Mill, SC 29708
 Tel: (800) 543-4764
 Toll Free: (800) 662-2377
 Fax: (803) 802-1063

Follow us on



© February 2017 ACO Polymer Products, Inc. This information is believed to be accurate but it is not guaranteed to be so. We cannot assume liability for results that buyer obtains with our product since conditions of use are beyond the control of the company. It is the customer's responsibility to evaluate suitability and safety of product for his own use. ACO Polymer Products Inc. reserves the right to change the product and specifications without notice.