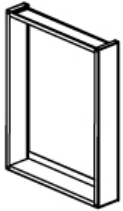




Installation Instructions

Products List:



Cabinet(1pc)



Tempered Glass Shelves(2pcs)



Shelves supports(4pcs)



Top Plate (assemble on the cabinet by Supplier) (2pcs)



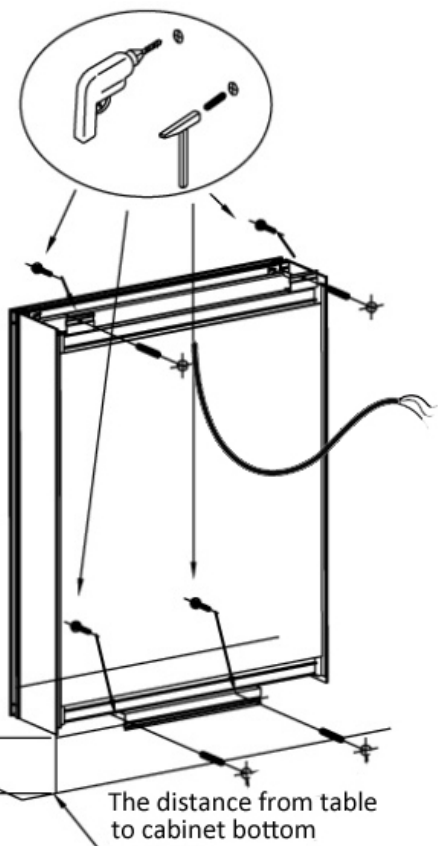
Bottom Plates(1pcs)



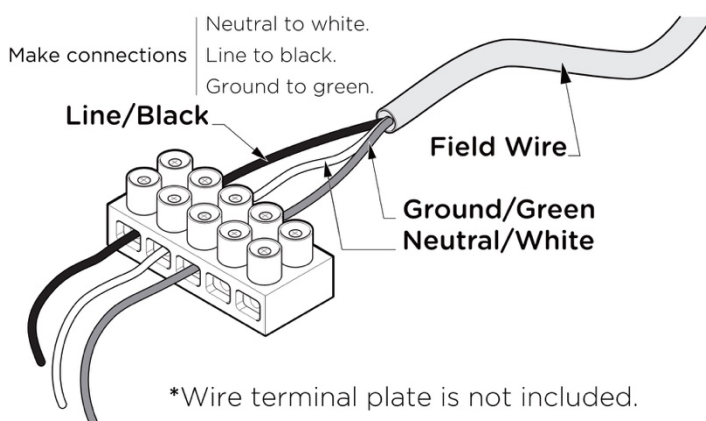
Screws/Thread Plugs (4pcs each)

Assembling Cabinet (See Image 1)

1. Fixing Bottom plate on the wall, make sure it is horizontal.
2. Put the cabinet on the bottom plate, and the bottom plate will lock the cabinet and support the cabinet.
3. Then fixing the top plate, please note it must be horizontal.

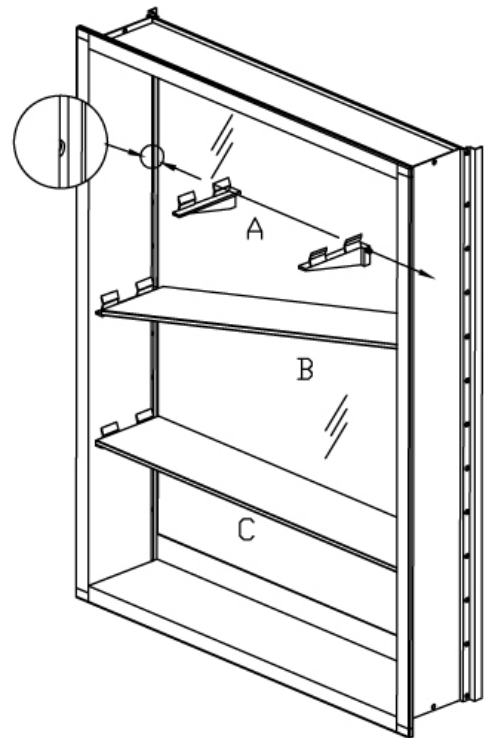


IMAGES 1



Assembling Glass shelves (See Image 2)

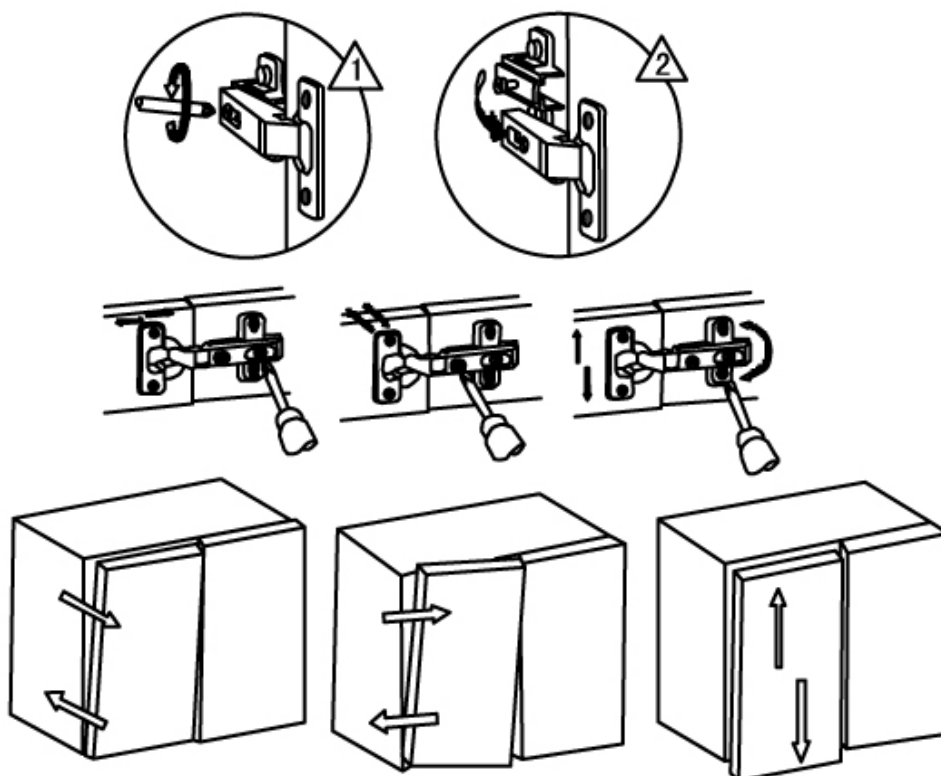
1. Follow the A, B, C steps shown in the diagram.
2. Please note left-right shelf supports should be in order.
3. Glass shelf should be sloped in the cabinet when fixing the supports. Then please press the glass make sure it firm.



IMAGES 2

Assemble & Disassemble & Adjust Hinge

The cabinet uses clip hinged, assemble and disassemble is opposite. (See Images 3)



IMAGES 3