

Model# 0366-HX8WB

Drinking Fountain-Wallmount

FEATURES & SPECIFICATIONS

- Self-Close Lever Handle
- Brass Round Bowl, Brushed Finish
- 3/8-18 NPS Female Thread W/Wall Bracket
- Replaceable Seat

FINISHES

- PC Polished Chrome

STANDARDS

- ASME A112.18.1
- ANSI / NSF 61, SECTION 9
- CUPC / IAPMO LISTED
- CONTAINS NO MORE THAN 0.25% WEIGHTED AVERAGE LEAD CONTENT



WARRANTY

- Lifetime Limited Warranty
- Lifetime Residential Warranty
- 5 Year Commercial Warranty

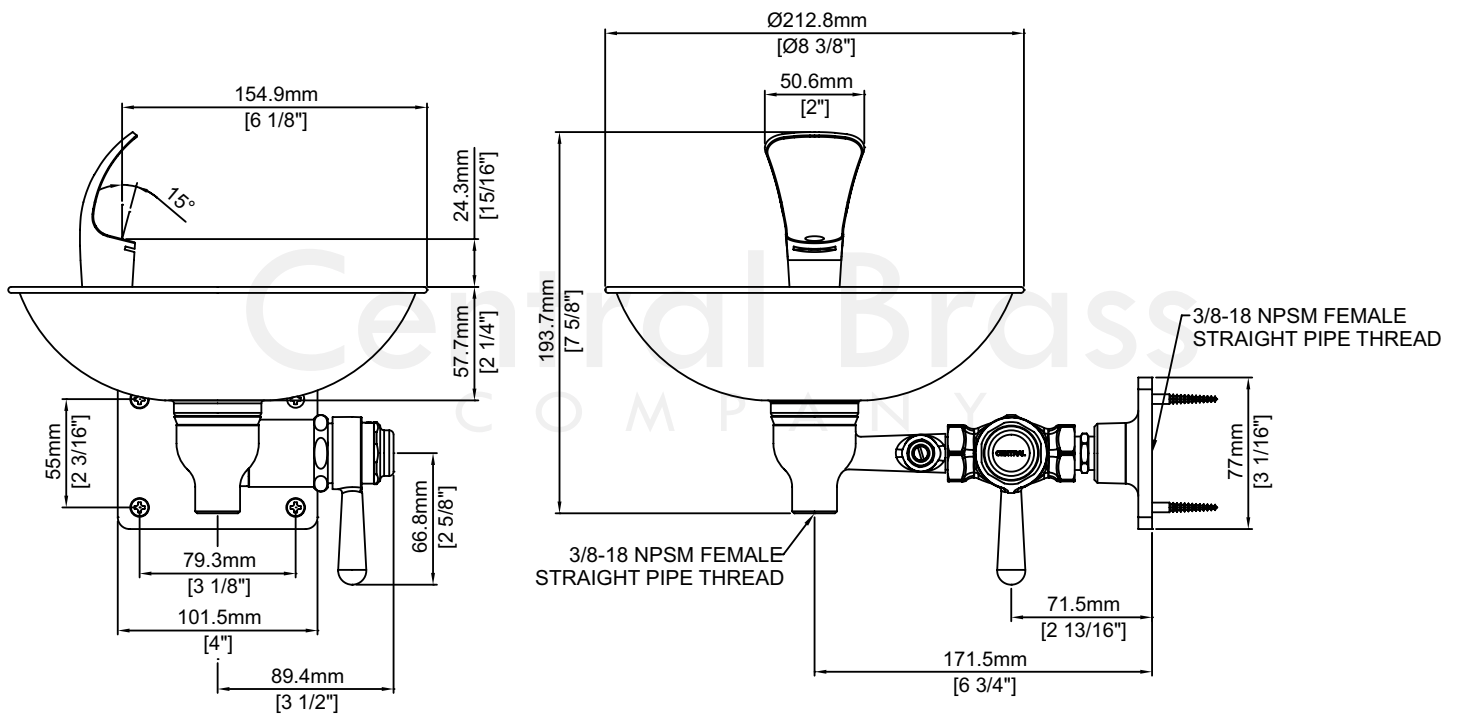
0366-HX8WB/REV. 11 2016

Product Specifications subject to change without notice

Job Name _____ Date _____
Model Specified _____ QTY _____
Customer/Wholesaler _____
Contractor _____
Architect/Engineer _____
Submitted as Shown _____
Submitted w/ Variations _____

Model# 0366-HX8WB

Drinking Fountain-Wallmount



0366-HX8WB/REV. 11 2016

Product Specifications subject to change without notice