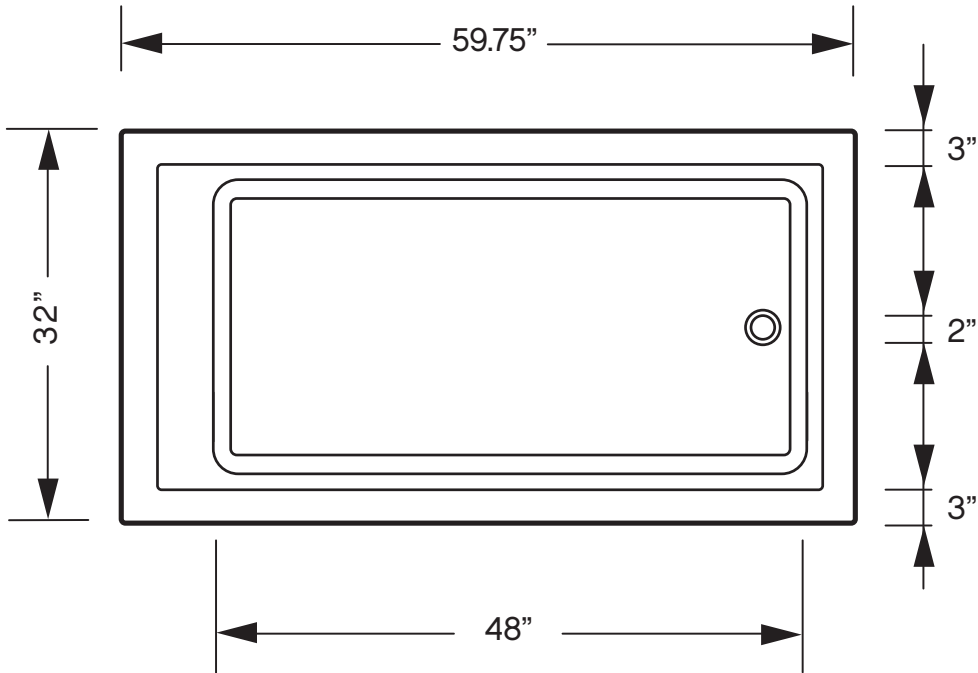
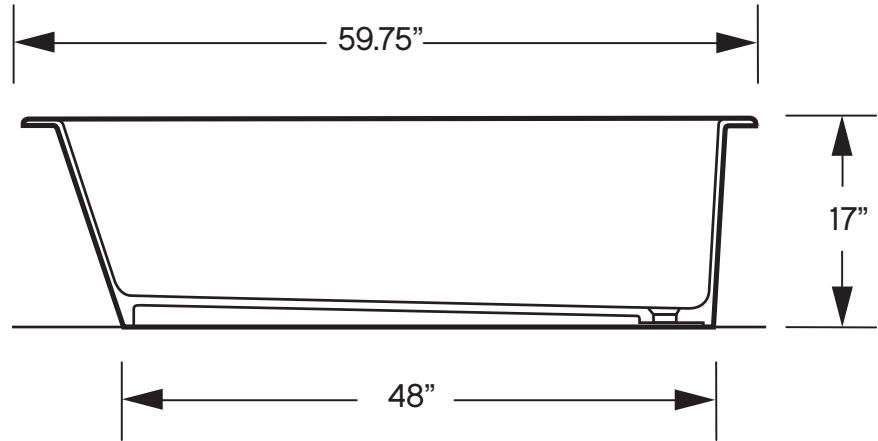
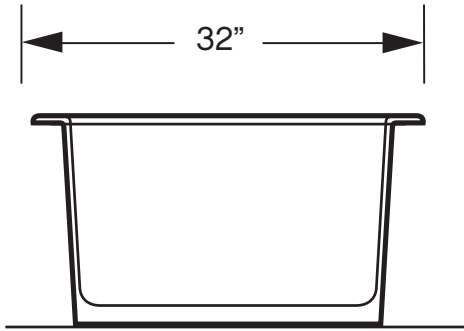


CLARKE

ARCHITECTURAL



Material: Solid Surface

SPARTA DROP IN

LENGTH	59.75"	CAPACITY	73 Gallons
WIDTH	32"	DRAIN	Offset
HEIGHT	17"	MODEL #	CAT6032DI-01