

Engineering Specification

Job Name _____
 Job Location _____
 Engineer _____
 Approval _____

Contractor _____
 Approval _____
 Contractor's P.O. No. _____
 Representative _____
 SKU _____

LEAD FREE*

Hi-PSI Flex Steam Connectors

Sizes: 1/2" to 1"

Dormont LEAD FREE* Hi-PSI Flex steam connectors provide long, trouble-free service life—and permit quick, safe connection of steam lines to moveable/ castered and stationary foodservice equipment. Use with utility distribution systems, steam kettles, steam tables, combi-ovens and other foodservice equipment requiring steam input.

Features

- Tubing Annealed, corrugated 304 stainless steel
- Braiding Multi-strand, stainless steel wire
- Flare Nuts Brass
- Flare Adapters Brass with nickel plating
- Coating Orange Silicon Coated Fiberglass Sleeve
- Optional Double Shut-off Quick Disconnect
 Stainless Steel ISO 7241-1, Series B coupling and nipple both valved to prevent steam flow when disconnected

Specifications

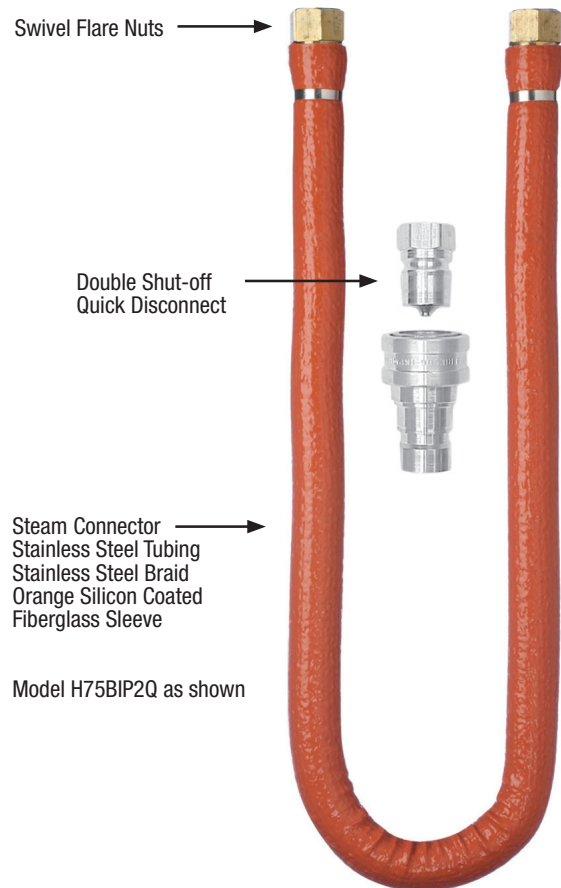
- Pressure 125psi MAX
- Temperature Steam 500°F MAX (260°C)

Approvals & Certifications

NSF/ANSI 372 - Drinking Water System Components - Lead Content



Flare Adapters



Swivel Flare Nuts

Double Shut-off Quick Disconnect

Steam Connector
 Stainless Steel Tubing
 Stainless Steel Braid
 Orange Silicon Coated
 Fiberglass Sleeve

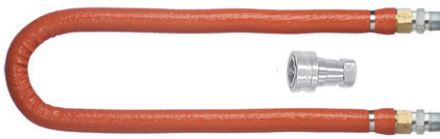
Model H75BIP2Q as shown

NOTICE

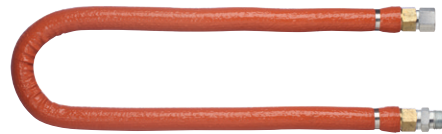
The information contained herein is not intended to replace the full product installation and safety information available or the experience of a trained product installer. You are required to thoroughly read all installation instructions and product safety information before beginning the installation of this product.

*The wetted surface of this product contacted by consumable water contains less than 0.25% of lead by weight.

Configurations



Coated Steam Connectors with Double Shut-off Quick Disconnect

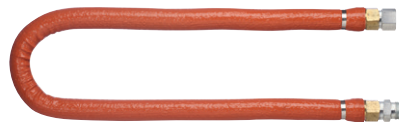
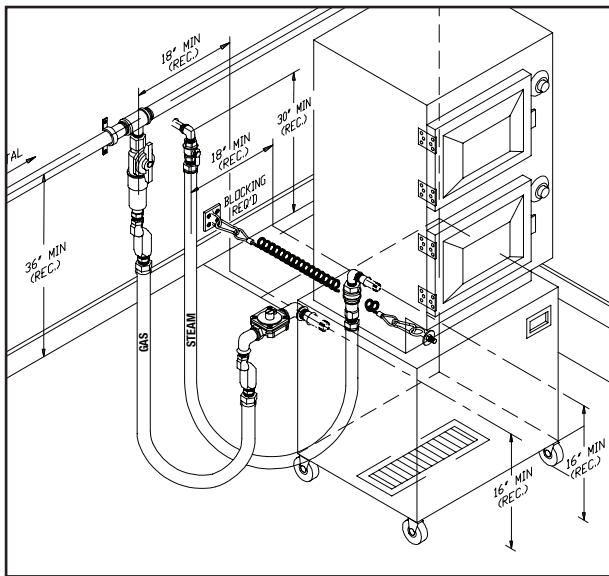


Coated Steam Connectors

PRODUCT CONFIGURATION	STEAM CONNECTOR END FITTING THREADS	QUICK DISCONNECT THREADS	1/2" ID	3/4" ID	1" ID
Coated Steam Connectors with Double Shut-off Quick Disconnect	Male NPT x Male NPT	Female NPT	H50BIP2QXX	H75BIP2QXX	H100BIP2QXX
Coated Steam Connectors	Male NPT x Female NPT	N/A	H50BIPXX	H75BIPXX	H100BIPXX
Double Shut-off Quick Disconnect	N/A	Female NPT	LFW50QD	LFW75QD	LFW100QD

* Where XX = Overall length in inches available in 24", 36", 48", 60", 72"

Typical Installation



Hi-PSI Flex Steam Connectors

Dormont LEAD FREE* Hi-PSI Flex steam connectors provide long, trouble-free service life—and permit quick, safe connection of steam lines to moveable/castered and stationary foodservice equipment. Use with utility distribution systems, steam kettles, steam tables, combi-ovens and other foodservice equipment requiring steam input.



Double Shut-off Quick Disconnect

Stainless Steel ISO 7241-1, Series B coupling and nipple both valved to prevent steam flow when disconnected.



We guarantee our LEAD FREE* Hi-PSI Flex Steam Connectors for 5 years from original installation.



USA: T: (800) 367-6668 • F: (724) 733-4808 • Dormont.com
 Canada: T: (905) 332-4090 • F: (905) 332-7068 • Dormont.ca
 Latin America: T: (52) 81-1001-8600 • Dormont.com