



# Diamond Tub & Showers Spec Sheet

Model: BDTL 6042-6

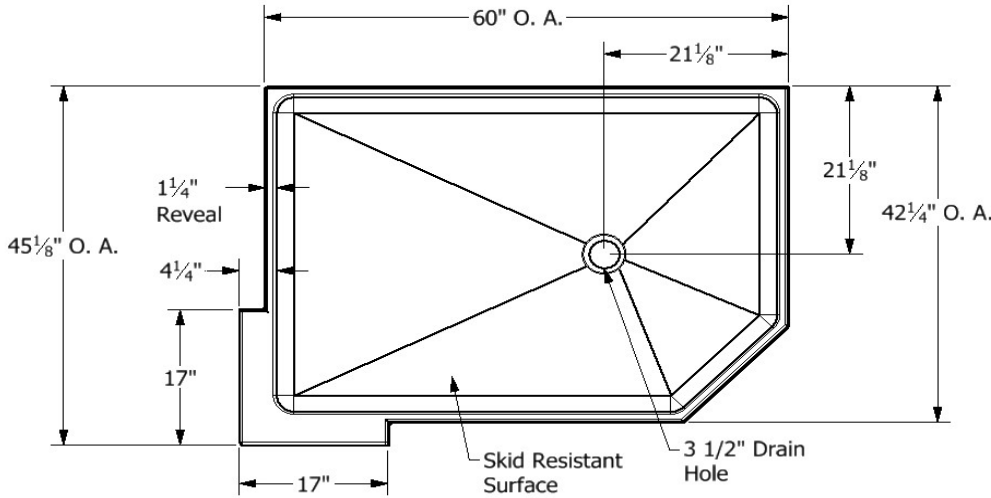
Description: One Piece Shower Base Left with Double Threshold

## Specifications

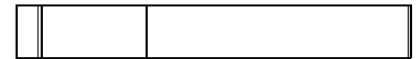
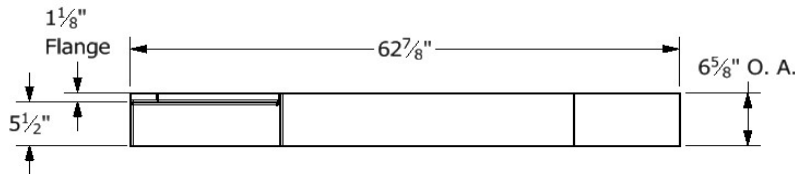
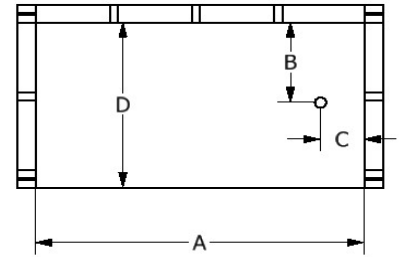
Model #	Material	Wall Finish	Pieces	Drain	Threshold Height	Net Weight Lbs.
BDTL 6042-6	Fiberglass/ Gelcoat	Smooth	1	R	5 1/2"	
Enclosure Opening						
Width		Height				
NA		NA				

## Framing Dimensions

A	B	C	D
60"	21 1/8"	21 1/8"	42 1/4"



## Framing Specifications



Certified to conform to ANSI Z124.1 and ASTM E-162 Flame Spread Rating 200 or less and is under a program of factory inspection.

Manufactured by Frontline Mfg., Inc. Warsaw, IN



10/19/20