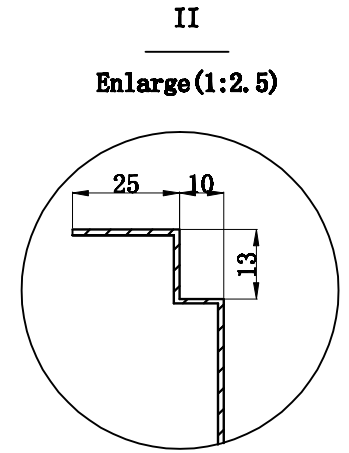
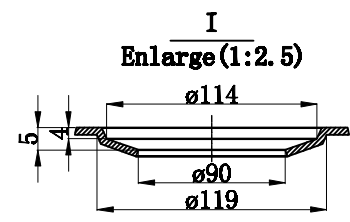
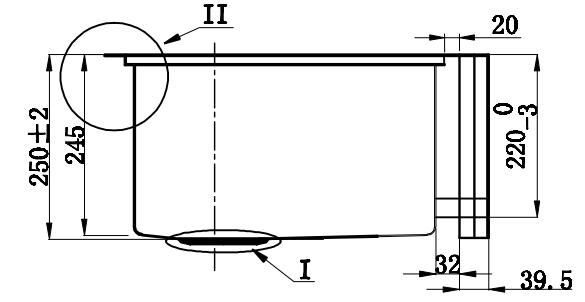
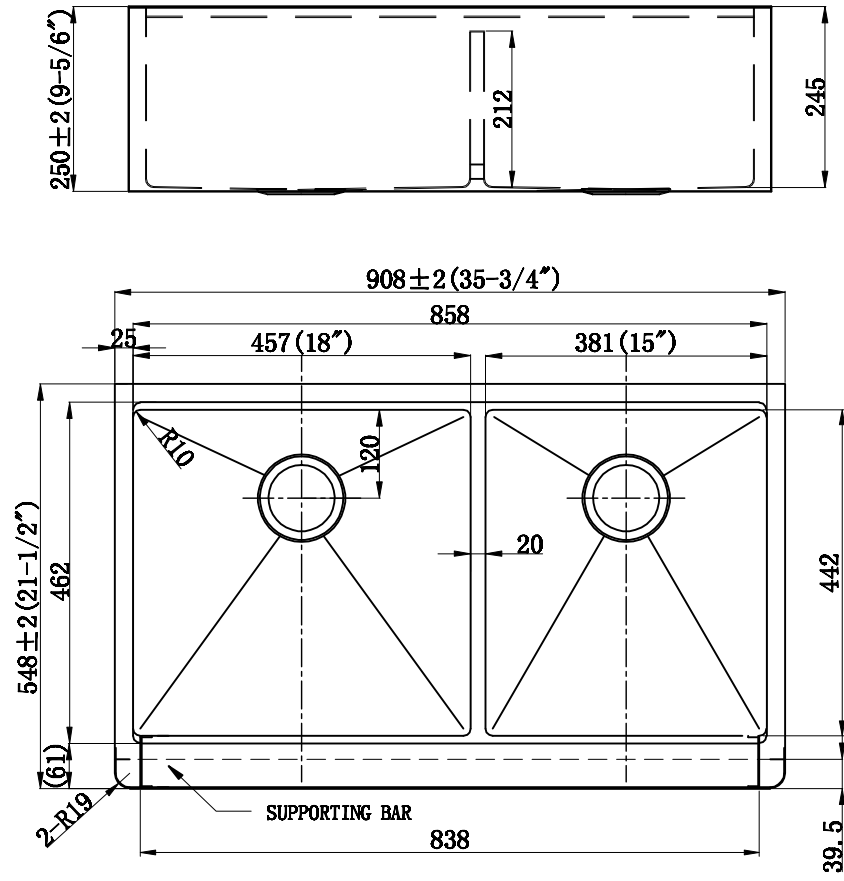


satin finish



A36D
material&thickness SUS304 16GA
EMPIRE INDUSTRIES INC.