

14" Rough-in

Features:

□ MX-20-904

- Vitreous china
- Combination bowl and tank
- 3" Flush valve
- 14" Rough-in
- Round Front bowl
- Dual-fed siphon jet action bowl (no splashing)
- 2" Fully Glazed trapway for effective waste removal
- Color matched metal tank lever
- 6 point tank to bowl connection for tank stability
- Sanitary bead for easy cleaning
- Color matched Bolt caps included
- Toilet seat not included



Technical Information:

Included Components:

- Combination MX-20-904
- Bowl MX-21-952
- Tank MX-28-994

Fixtures:

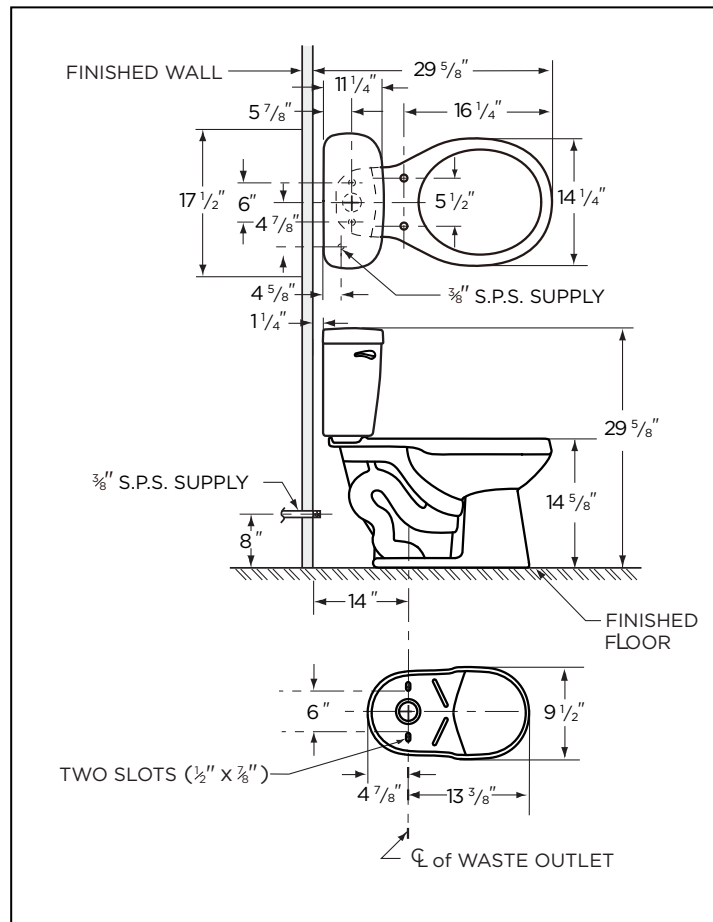
Configuration	Two-piece, round front
Water per Flush	1.6 gpf (6 lpf)
Rough-In	14"
Height	29 5/8"
Width	17 1/2"
Depth	28 3/8"
Trapway	2"
Large Water Surface	9 1/4" x 7 1/4"
Shipping Weight	76 lbs

Colors/Finishes:

- White
- Other: Refer to Price Book for additional colors/finishes

Warranty:

- Limited lifetime warranty



NOTES: All dimensions are in inches. Illustrations may not be drawn to scale.

IMPORTANT:

Dimensions of fixtures are nominal and may vary within the range of tolerances established by ASME standard A 112.19.2 THIS FIXTURE QUALIFIES ACCORDING TO ASME TEST PROCEDURES AS A LOW CONSUMPTION WATER CLOSET WITH AN AVERAGE CONSUMPTION OF 1.6 gpf (6 Lpf) OR LESS.