

FARMHOUSE SINKS

Installation Options

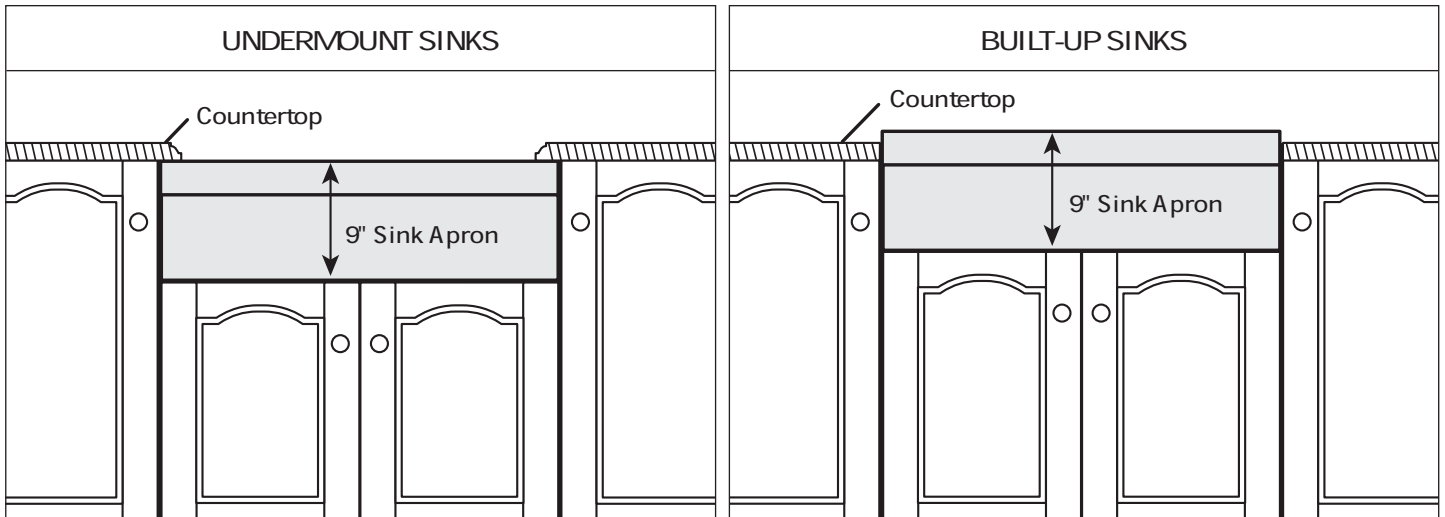
With appropriate planning Kindred Farmhouse sinks may be installed several different ways.

The sink... the base cabinet unit... and the countertop... must be selected with a specific installation in mind.

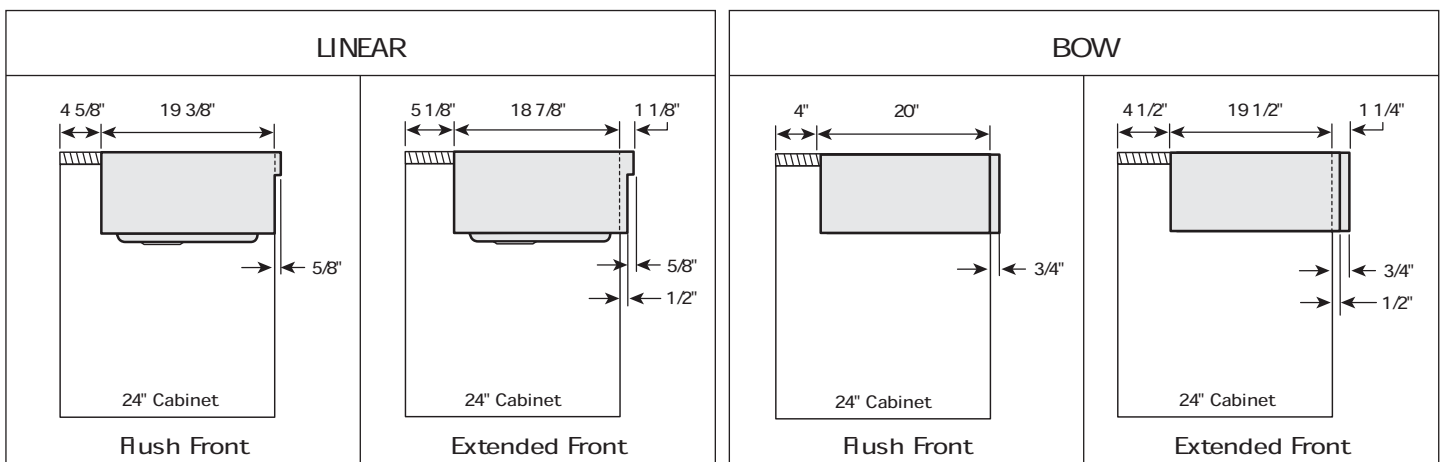
Kindred Farmhouse sinks may be installed as:

1. Undermount sinks (rim of the sink is below the countertop)
2. Built-up sinks (rim of the sink is raised above the countertop)

Built-up sinks may be installed with up to 1 1/2" of the side of the sink exposed (above the top surface of the countertop).



Kindred Farmhouse sinks may also be installed with the front corners of the apron flush to adjacent cabinets, or alternatively, the front corners of the apron may extend out beyond the face of adjacent cabinets by as much as 1/2". We would caution you to make allowance for installation of the faucet. Position the sink so that there is enough clearance behind the sink to allow for a backsplash, and full mobility of the faucet lever.

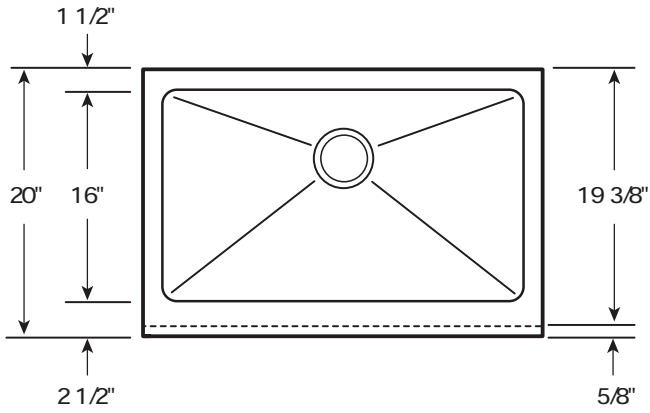


The farmhouse sink has a 3/4" flange on the underside of the apron that will support the unit.

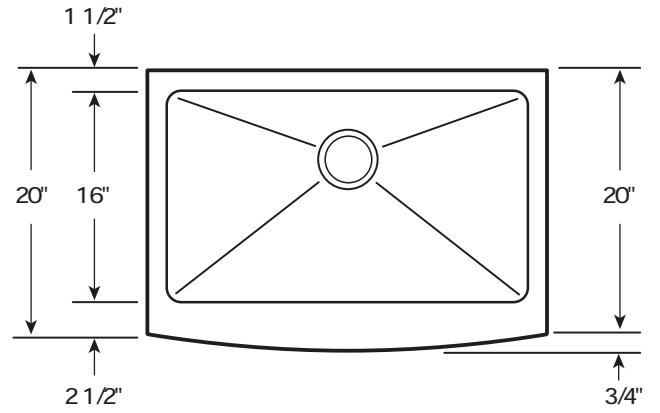
Dab silicone to the base cabinet frame that will contact the sink flange.

Then position the unit either flush with the front face of the cabinet, or extend the unit up to 1/2" beyond the front face of the cabinet.

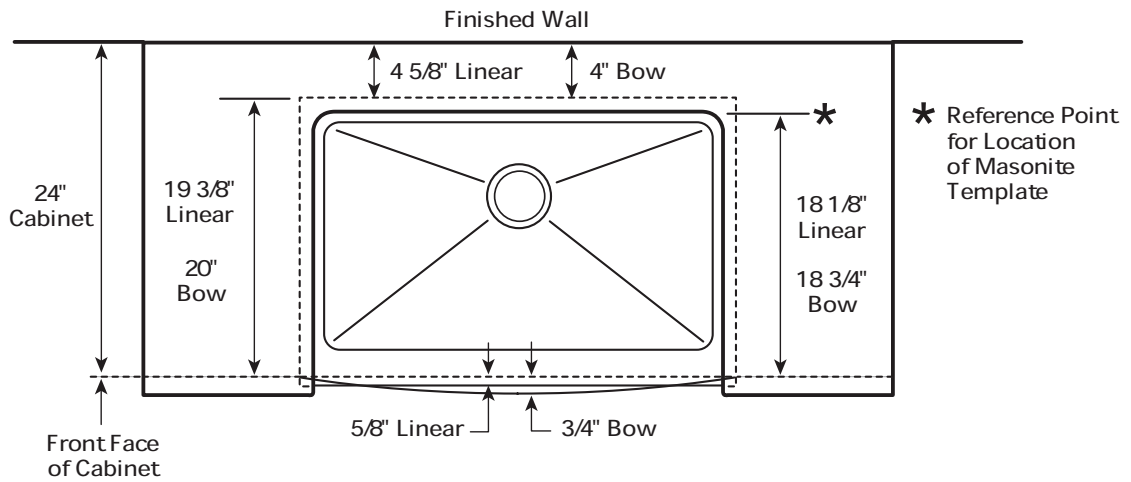
FARMHOUSE SINKS



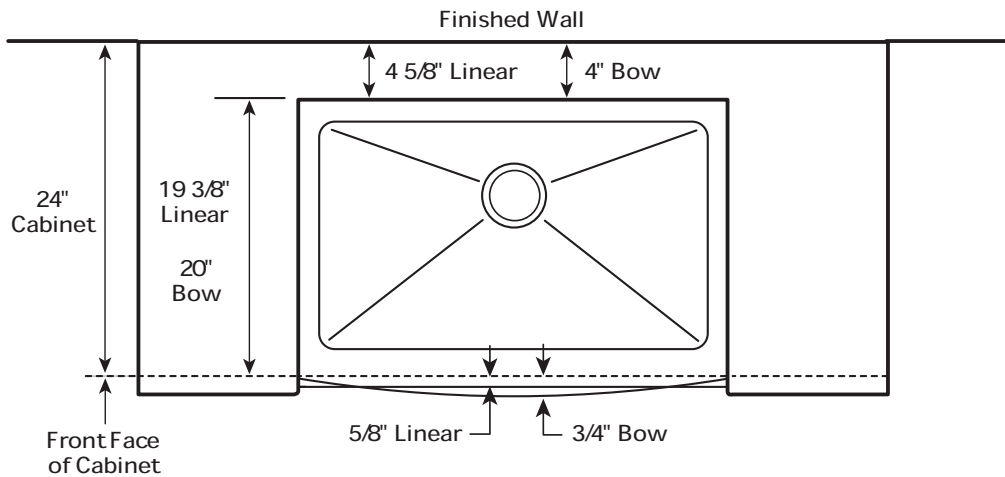
LINEAR FRONT



BOW FRONT



FLUSH FRONT INSTALLATION
UNDERMOUNT SINK



FLUSH FRONT INSTALLATION
BUILT-UP SINK

UNDERMOUNT SINKS

Fabricator Template Preparation

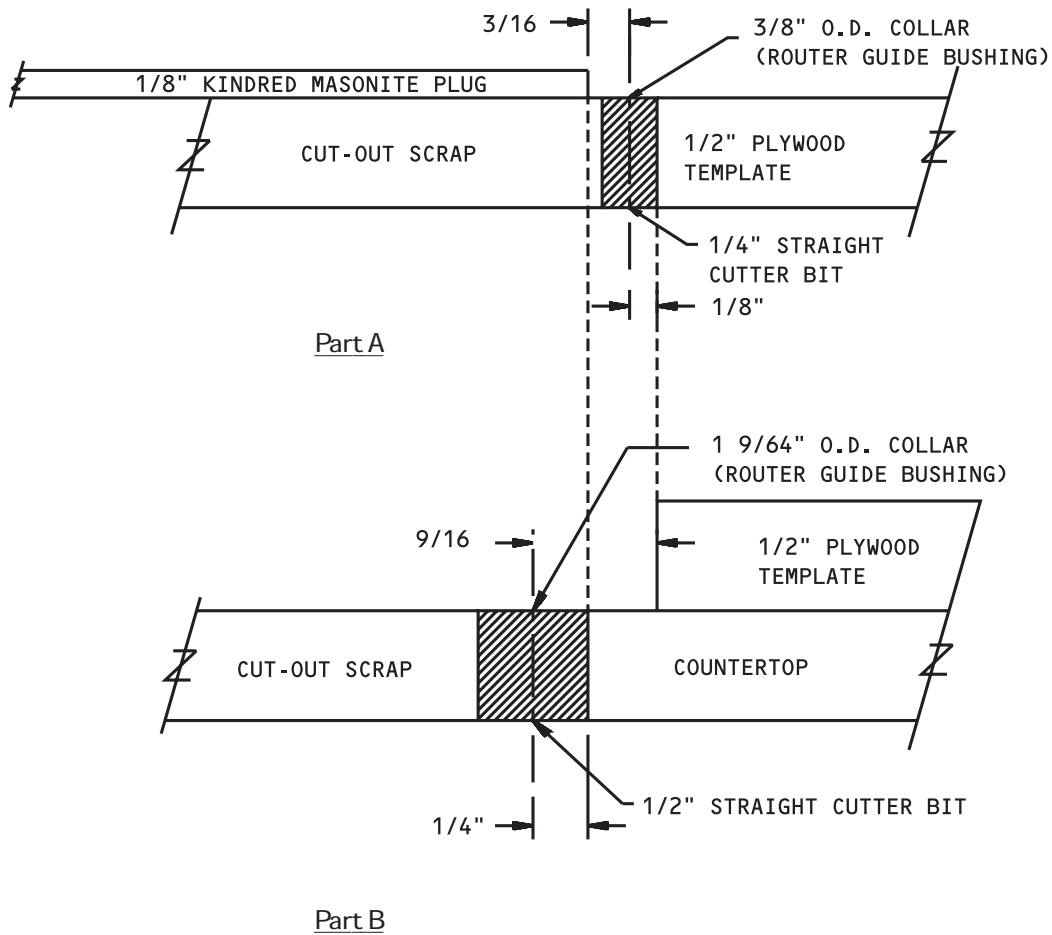
The masonite template supplied by Kindred has been machined to the exact size and shape of the countertop cut-out, and will reveal approximately 1/4" of the sink rim

We recommend that this masonite template be used to create a female template from 1/2" plywood

Use a router guide bushing and straight cutter bit to trace the masonite template onto 1/2" plywood, as indicated by Figure 1, Part A, Template Preparation

Sand the cut edge clean and smooth

FIGURE 1

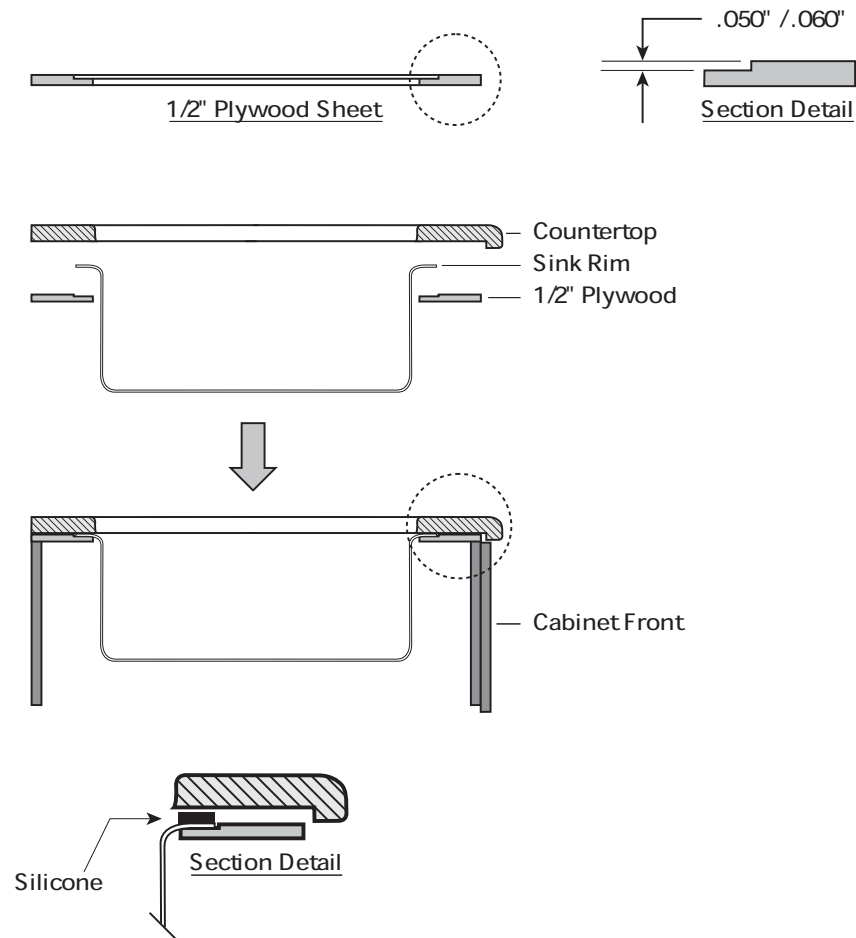


	Part A		Part B	
	Router Guide Bushing O.D.	Cutter Bit	Router Guide Bushing O.D.	Cutter Bit
Recommended	3/8"	1/4"	1 9/64"	1/2"
Alternate	1/2"	1/4"	1"	1/4"

UNDERMOUNT SINK INSTALLATION ALTERNATIVE 1

Sink Installation Procedure

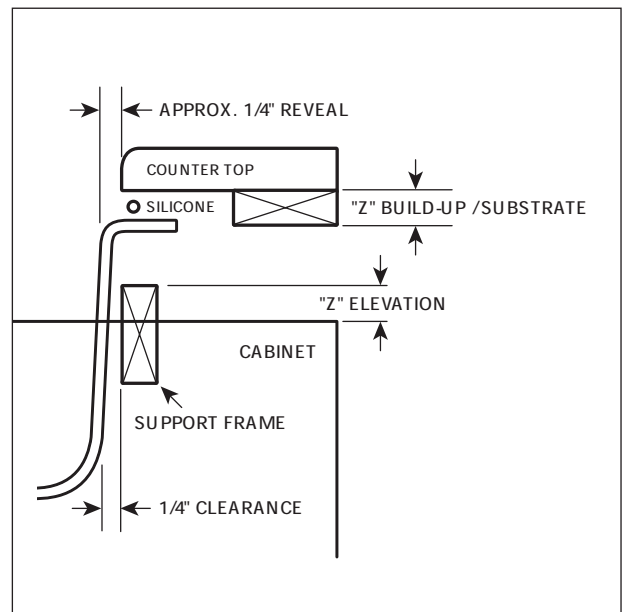
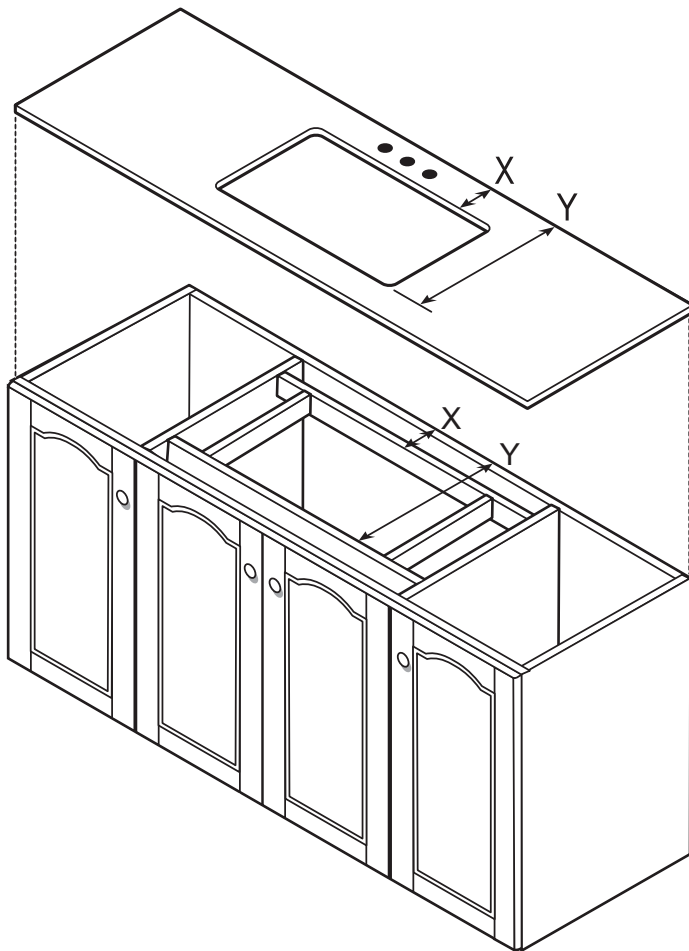
1. Clamp the 1/2" plywood female template on the top surface of the countertop, in the desired position. This position will be determined by the relationship of the sink rim to cabinet gables, cabinet supporting members, and deck mounted fittings.
2. Trace the edge of the template with the router guide bushing and straight cutter bit as indicated by Figure 1, Part B, Template Preparation.
3. Finish the cut-out edge with the desired router bit (ie. chamfer, bullnose, Roman ogee).
4. Prepare a plywood reinforcement sheet that is the same material thickness as the countertop built-up and big enough to cover the sink base cabinet frame. Use the 1/2" plywood template described earlier, to cut-out the reinforcement sheet to accept the sink. Using a router, recess the plywood by .050" to .060" for approximately 2" back from the cut-out, to accept the sink flange.
5. Place this plywood reinforcement sheet on top of the sink base cabinet unit.
6. Assemble sink strainers to sink.
7. Clean sink rim and countertop mating surface with solvent.
8. Lay sink in plywood reinforcement sheet and apply a continuous (translucent color) bead of silicone around the sink rim.
9. Lay the countertop on top of the cabinets and if necessary shift the sink so that it is centered within the sink cut-out.
10. Align the sink to the cut-out so that a uniform reveal of approximately 1/4" shows around the periphery of the cut-out.
11. Use a non-abrasive cloth and solvent to remove excess silicone that has squeezed out beyond the cut-out edge.



UNDERMOUNT SINK INSTALLATION ALTERNATIVE 2

Sink Installation Procedure

1. Kindred provides DXF files for The Designer Series sinks on the Tools for the Trade section of www.kindredcanada.com. This outline of the countertop cut-out is full scale and can be used to program CNC machinery. The cut-out has been designed to reveal approximately 1/4" of the sink rim
2. Finish the cut-out edge with the desired router bit (ie, chamfer, bullnose, Roman ogee).
3. Mount a support frame to adjacent cabinets.
 - A) The position of the frame members (dimensions X and Y) is determined by the sink cut-out location (see figure). Check front to back dimensions for the sink cut out to ensure adequate clearance for the faucet and possible use of a flip tray
 - B) The elevation of the support frame (dimension Z) will be determined by the material thickness of the countertop build-up, or substrate
4. Assemble sink strainers to sink
5. Clean sink rim and countertop mating surface with solvent
6. Apply a continuous (translucent color) bead of silicone around the sink rim
7. Drop sink into opening of support members.
8. Lay countertop onto cabinets.
9. Align the sink to the cut-out so that a uniform reveal of approximately 1/4" shows around the periphery of the cut-out.



BACKSPLASH SINKS

Installation Options

We recommend that Kindred Backsplash sinks be installed as a built-up sink where the rim of the sink is raised above the countertop. Built-up sinks may be installed with up to 1 1/2" of the side of the sink exposed (above the top surface of the countertop).

