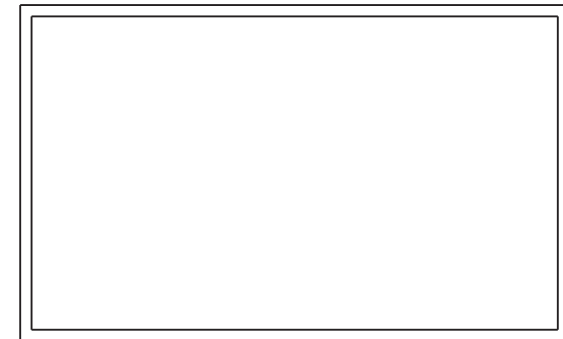
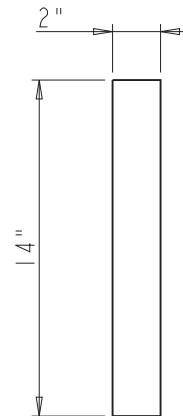
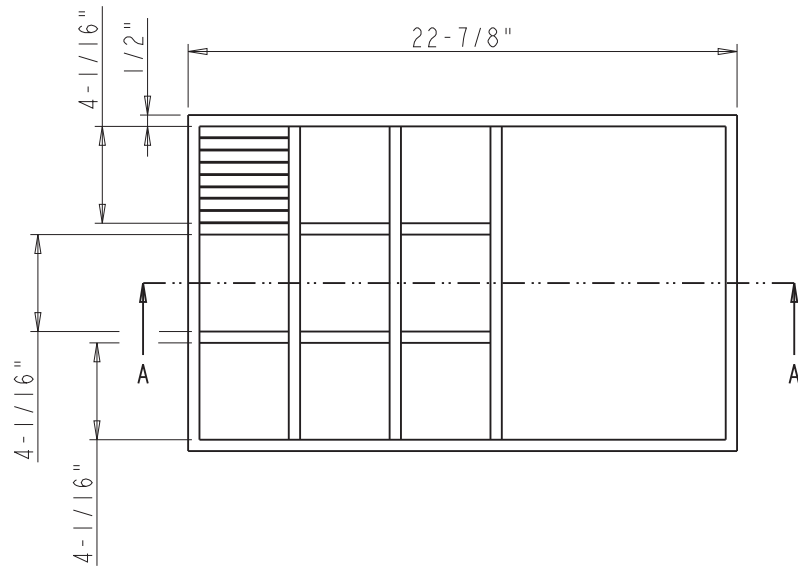
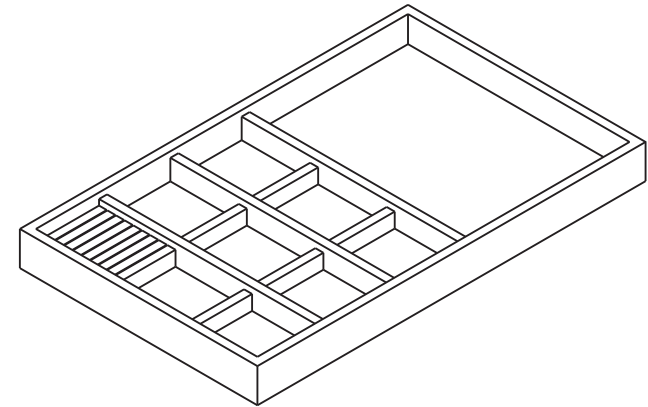
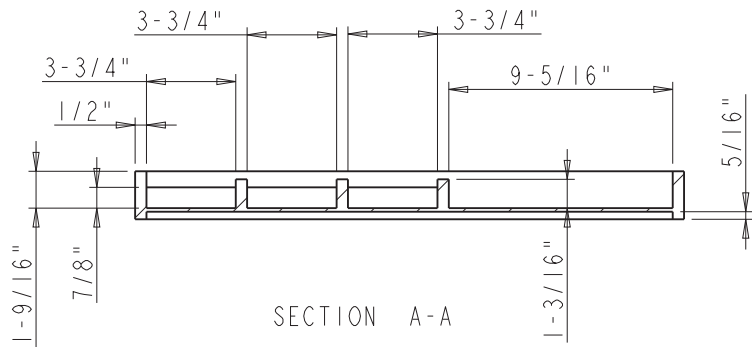


	ITEM#: JD118-1		MATERIAL: PTC_MATERIAL_NAME		
	FINISH:		WEIGHT: 0.000 g		
PROPRIETARY AND CONFIDENTIAL THE INFORMATION CONTAINED IN THIS DRAWING IS THE SOLE PROPERTY OF HARDWARE RESOURCES INC. ANY REPRODUCTION IN PART OR AS A WHOLE WITHOUT THE WRITTEN PERMISSION OF HARDWARE RESOURCES INC. IS PROHIBITED.	TOLERANCE UNLESS OTHERWISE SPECIFIED: X ±0.20 XX ±0.10 XXX ±0.05 ANGULAR: ±0.5°		UNITS: SIZE: A4 SHEET: 1 OF 1	DRAWN BY: <i>Hugo.cai</i> APPROVED BY: RELEASE LEVEL:	DATE: 05-11-15 DATE: REVISION:
	PROJECTION				
	DO NOT SCALE DRAWING				



	ITEM:	J-BOX-2		MATERIAL:	PTC_MATERIAL_NAME	
	FINISH:			WEIGHT:	0.000 g	
PROPRIETARY AND CONFIDENTIAL THE INFORMATION CONTAINED IN THIS DRAWING IS THE SOLE PROPERTY OF HARDWARE RESOURCES INC. ANY REPRODUCTION IN PART OR AS A WHOLE WITHOUT THE WRITTEN PERMISSION OF HARDWARE RESOURCES INC. IS PROHIBITED.	TOLERANCE UNLESS OTHERWISE SPECIFIED: X ±0.20 XX ±0.10 XXX ±0.05 ANGULAR: ±0.5°		UNITS:	DRAWN BY:	DATE:	
	SIZE: A4		APPROVED BY:	DATE: 05-11-15		
	SHEET: 1 OF 1		RELEASE LEVEL:			
	DO NOT SCALE DRAWING					