

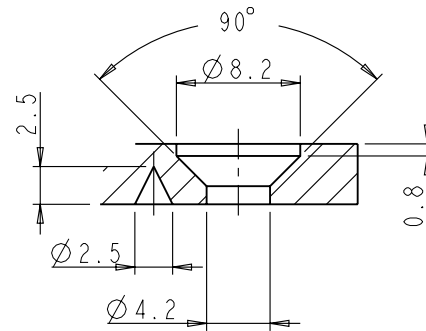
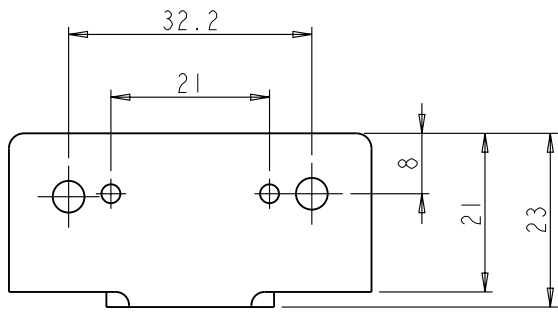
Note:  
1. Color: White

BILLS OF MATERIAL:

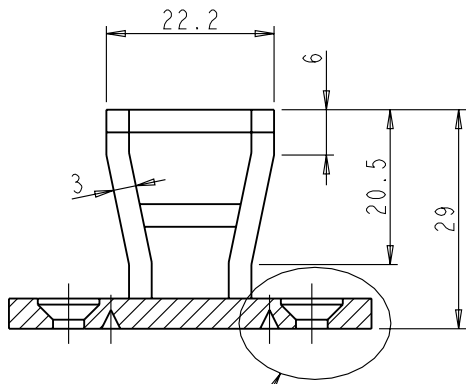
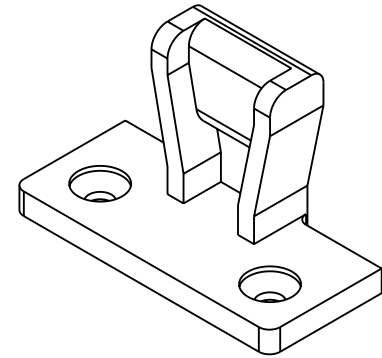
NO.	ITEM#	MATERIAL	QTY	UNIT	TOTLE	WEIGHT	TYPE	ASSY LEVEL
2	LOCKER	PC	1	5.40	5.40	PART	1	
1	BASE	PC	1	8.00	8.00	PART	1	

<b>hardware resources</b> PROPRIETARY AND CONFIDENTIAL THE INFORMATION CONTAINED IN THIS DRAWING IS THE SOLE PROPERTY OF HARDWARE RESOURCES INC. ANY REPRODUCTION IN PART OR AS A WHOLE WITHOUT THE WRITTEN PERMISSION OF HARDWARE RESOURCES INC. IS PROHIBITED.	ITEM#:	200-K1		MATERIAL:	
	FINISH:			WEIGHT:	
	TOLERANCE UNLESS OTHERWISE SPECIFIED:	UNITS:	DRAWN BY:	DATE:	
	X ±0.20 X.X ±0.10 X.XX ±0.05 ANGULAR: ±0.5°	SIZE:	APPROVED BY:	DATE:	
DO NOT SCALE DRAWING	SHEET:	RELEASE LEVEL:	REVISION:		

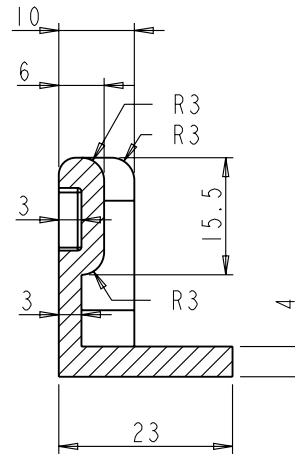


DETAIL A  
SCALE 2:1

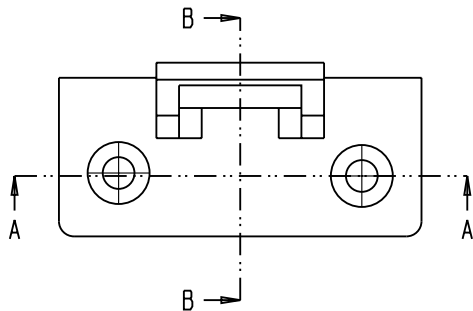
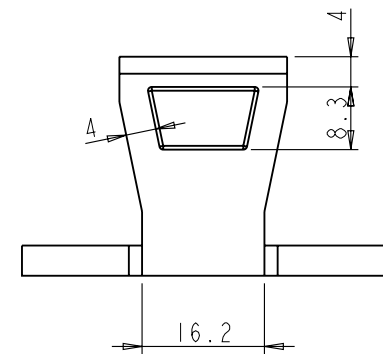


SEE DETAIL A

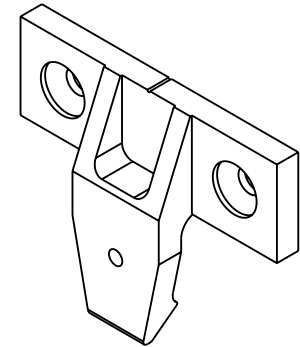
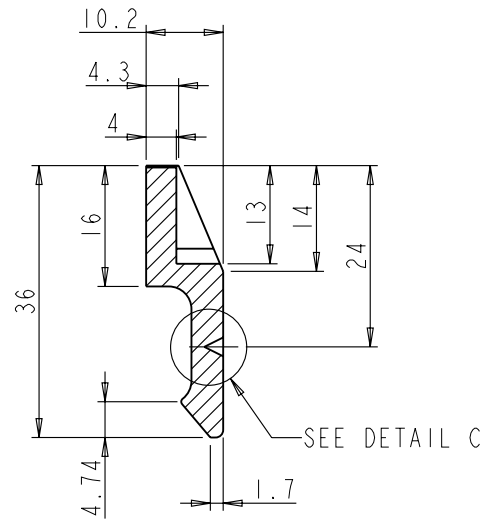
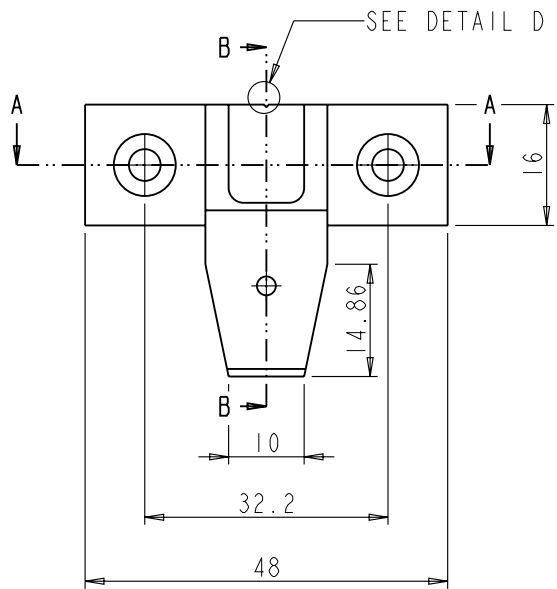
SECTION A-A



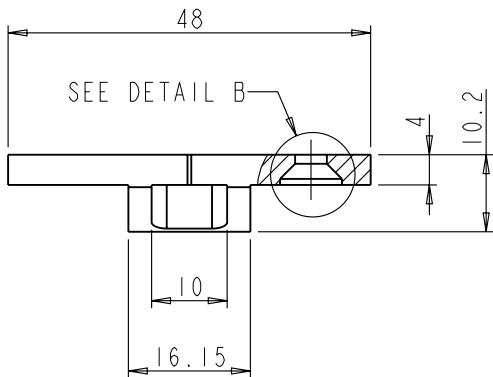
SECTION B-B



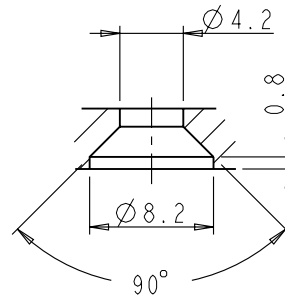
<p><b>PROPRIETARY AND CONFIDENTIAL</b></p> <p>THE INFORMATION CONTAINED IN THIS DRAWING IS THE SOLE PROPERTY OF HARDWARE RESOURCES INC. ANY REPRODUCTION IN PART OR AS A WHOLE WITHOUT THE WRITTEN PERMISSION OF HARDWARE RESOURCES INC. IS PROHIBITED.</p> <p>DO NOT SCALE DRAWING</p>	ITEM:	BASE		MATERIAL:	PC	
	FINISH:			WEIGHT:	8.00 g	
	TOLERANCE UNLESS OTHERWISE SPECIFIED:	UNITS:	MM	DRAWN BY:	<i>alan.liu</i>	DATE:
	SIZE:	APPROVED BY:			DATE:	
ANGULAR: ±0.5°	SHEET:	RELEASE LEVEL:			REVISION:	



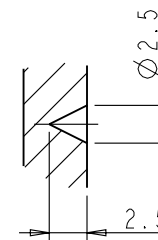
SECTION B-B



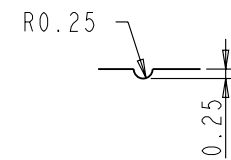
SECTION A-A



DETAIL B  
SCALE 2:1



DETAIL C  
SCALE 2:1



DETAIL D  
SCALE 5:1

<p><b>hardware resources</b></p> <p><small>PROPRIETARY AND CONFIDENTIAL</small></p> <p><small>THE INFORMATION CONTAINED IN THIS DRAWING IS THE SOLE PROPERTY OF HARDWARE RESOURCES INC. ANY REPRODUCTION IN PART OR AS A WHOLE WITHOUT THE WRITTEN PERMISSION OF HARDWARE RESOURCES INC. IS PROHIBITED.</small></p>	ITEM:	LOCKER	MATERIAL:	PC	
	FINISH:		WEIGHT:	5.40 g	
	TOLERANCE UNLESS OTHERWISE SPECIFIED:		UNITS:	MM	DRAWN BY:
	X ±0.20 X.X ±0.10 X.XX ±0.05 ANGULAR: ±0.5°		SIZE:	APPROVED BY:	DATE:
DO NOT SCALE DRAWING		SHEET:	RELEASE LEVEL:	REVISION:	