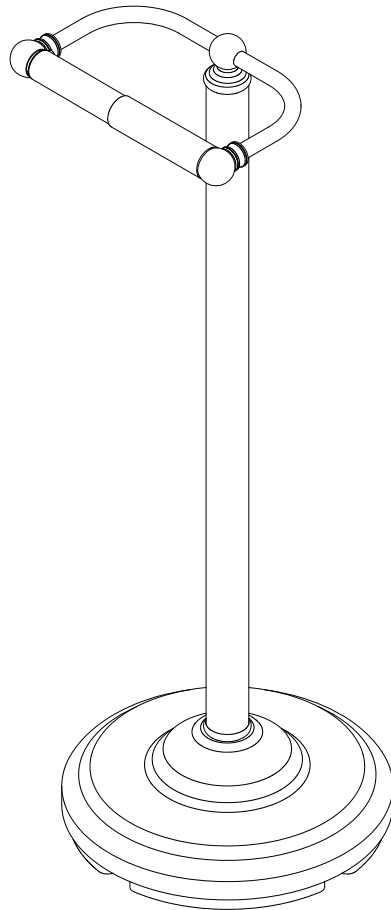


KINGSTON

KITCHEN & BATH

Pedestal Paper Holder Installation

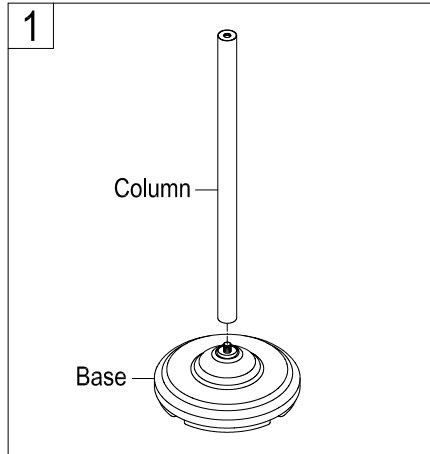


www.kingstonbrass.com
TOLL-FREE CUSTOMER SERVICE: 1-877-2-KBRASS
TECHNICAL SUPPORT E-mail: service@kingstonbrass.com
12775 Reservoir Street, Chino, CA 91710

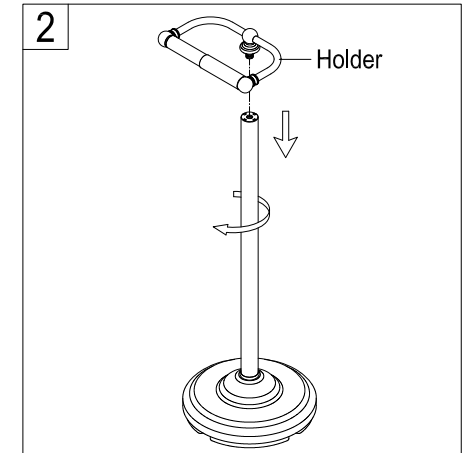
TOOLS REQUIRED



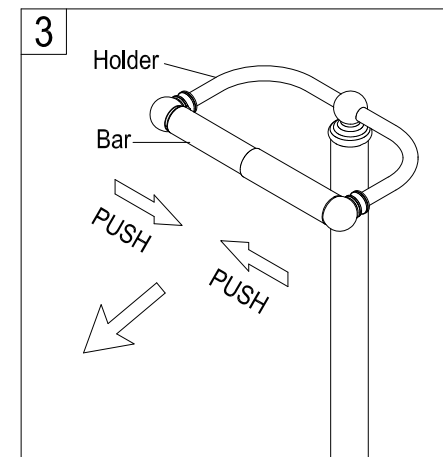
Allen Wrench



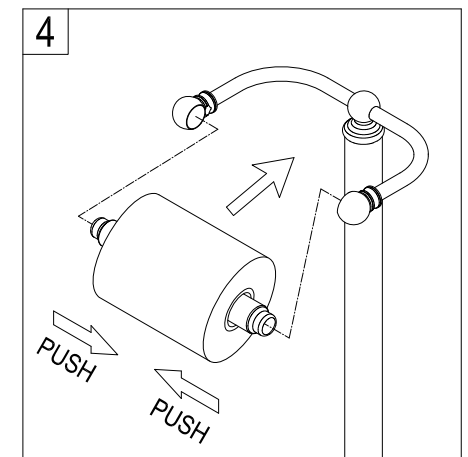
1. Put the base in a level space on ground. Thread one end of column into base tightly with clockwise direction.



2. Install paper holder into another end of the column tightly with clockwise direction.



3. Connect the bar by pushing toward center.



4. Slip the toilet paper into bar and attach the bar to paper holder.

Cleaning

Clean with a damp cloth only.
Avoid using metal or abrasive polishes.