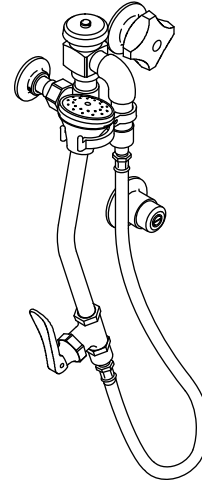


Features

- Brass construction
- Brass valve body
- Quarter-turn washerless ceramic disc valve
- Standard handle
- Standard sprayhead
- Vacuum breaker
- Vinyl hose
- Screwdriver check stop
- Self-closing lever control spray and hook
- Internal NPT connections

**BUILT-IN BEDPAN WASHER
K-13931-2A**



Codes/Standards Applicable

Specified model meets or exceeds the following:

- ASME A112.18.1/CSA B125.1

Colors/Finishes

- CP: Polished Chrome

Specified Model

Model	Description	Colors/Finishes
K-13931-2A	Built-in bedpan washer	<input type="checkbox"/> CP

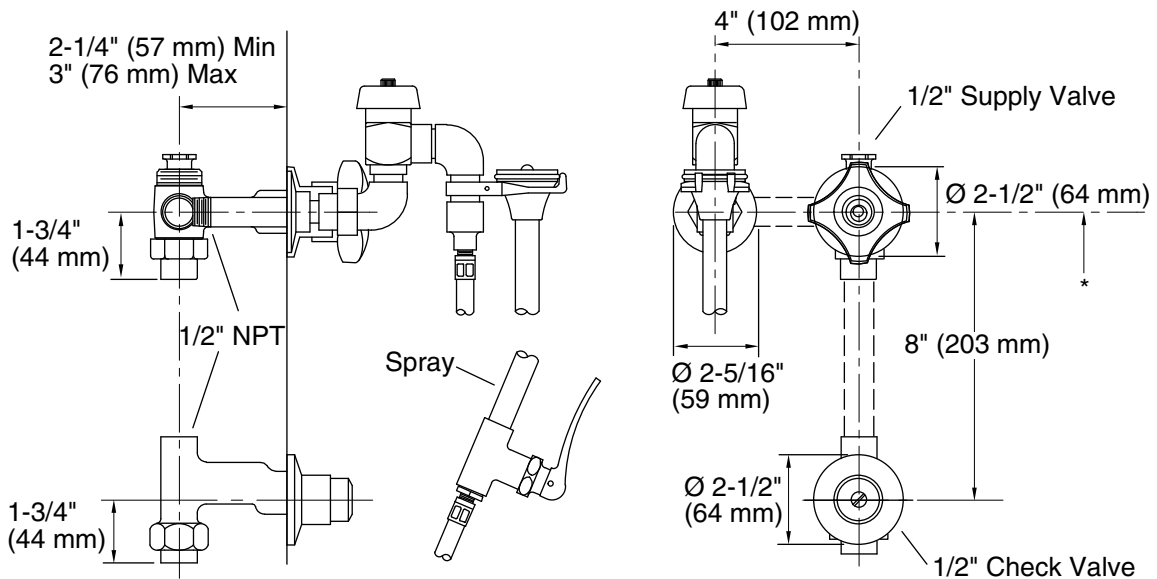
Product Specification

Built-in bedpan washer shall be of brass construction. Faucet shall feature a brass valve body. Faucet shall also feature a quarter-turn washerless ceramic disc valve. Product shall include standard handle, standard sprayhead, vacuum breaker, vinyl hose, screwdriver check stop, self-closing lever control spray and hook, and internal NPT connections. Faucet shall be Kohler Model K-13931-2A-CP.

TRITON®

Installation Notes

Install this product according to the installation guide.



* Consult Local Codes For Vacuum Breaker Height.

Product Diagram