

## Features

- Two-piece toilet.
- Elongated bowl offers added room and comfort.
- 1.6 gallons per flush (gpf).
- Standard left-hand trip lever included.
- Combination consists of the K-4468 tank and the K-4198 bowl.
- Coordinates with other products in the Wellworth collection.
- S'agence aux autres produits de la collection Wellworth.

## Technology

- Single-flush gravity uses the force of gravity and a precision-engineered tank, bowl, and trapway to create a strong siphon during flushing.
- KOHLER's canister flush valve harnesses the natural force of gravity and optimizes flushing performance.
- Class Five® flushing technology offers virtually plug-free performance and rinsing power for a clean bowl.

## Installation

- Standard 12-inch rough-in.
- Three-bolt installation.
- Seat and supply line not included.

## Recommended Products/Accessories

K-4636 Cachet® Quiet-Close™ Elongated Toilet Seat  
K-5588 Purefresh® Elongated Toilet Seat  
K-4108 C³®-230 elongated cleansing toilet seat  
K-5420 Low-Profile Bolt Caps  
K-9379 Trip Lever  
1023457 Wax Ring/Hardware Kit  
1265114 Connector Hose

## Included Components

Product consists of:

K-4198 Elongated Bowl  
K-4468 Toilet Tank

Additional Components:

Bolt cap accessory pack  
Tank accessory pack  
Tank cover  
Trip lever



## Codes/Standards





ASME A112.19.2/CSA B45.1  
DOE - Energy Policy Act 1992

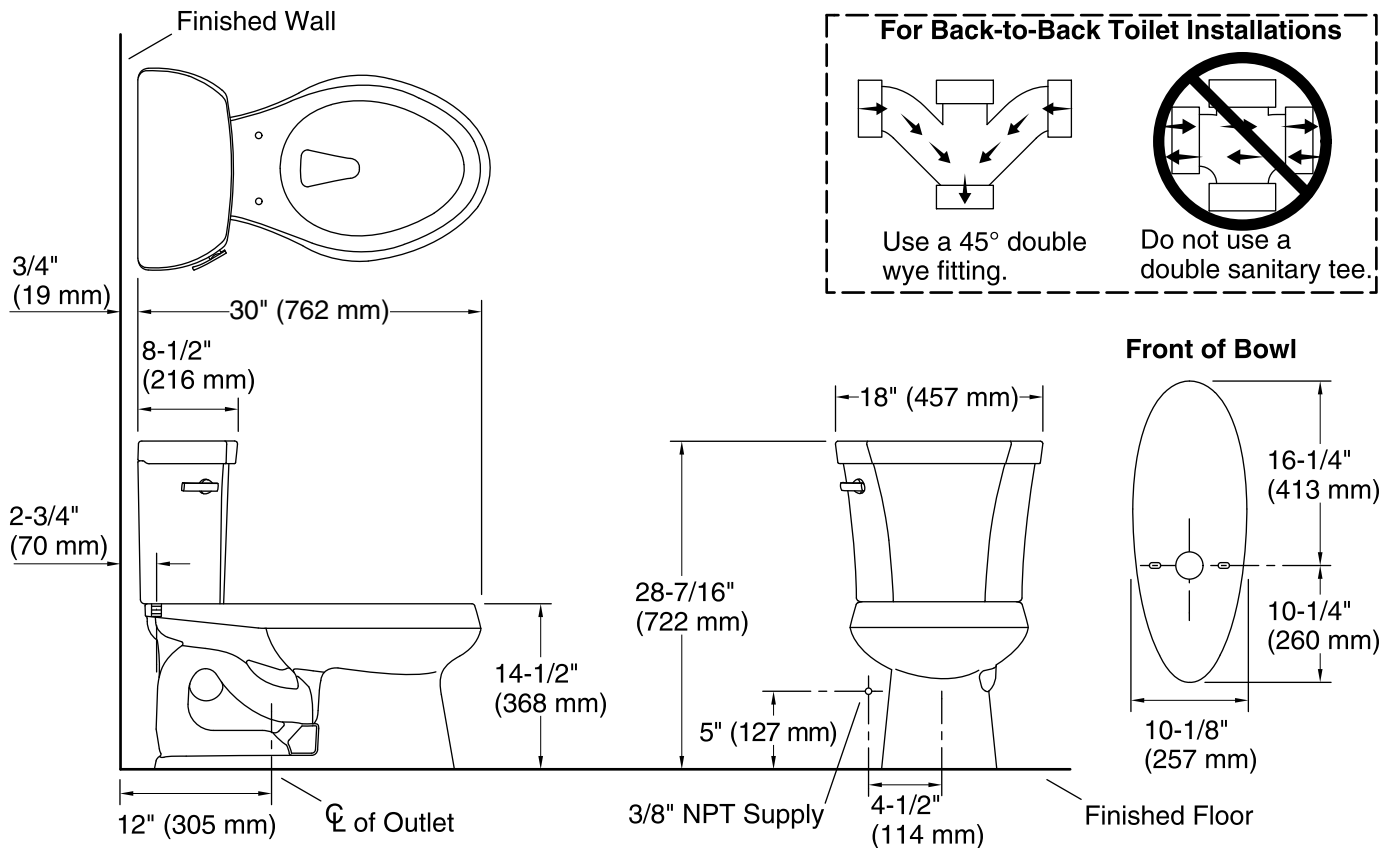
## KOHLER® One-Year Limited Warranty

See website for detailed warranty information.

## Available Colors/Finishes

*Color tiles intended for reference only.*

Color	Code	Description
	0	White
	96	Biscuit
	47	Almond
	7	Black Black™



## Technical Information

All product dimensions are nominal.

Toilet type:	Two-piece, Floor-mount
Waste Outlet:	Floor
Bowl shape:	Elongated
Flush type:	Class Five®
Trap passageway:	2-1/8" (54 mm)
Water Consumption	
Full:	1.6 gpf (6 lpf)
Water surface size:	11-1/4" x 8-1/4" (286 mm x 210 mm)
Rim to water surface:	5-1/4" (133 mm)
Rough-in:	12" (305 mm)
Seat-mounting holes:	5-1/2" (140 mm)

## Notes

Install this product according to the installation instructions.

For back-to-back toilet installations: Use only a 45° double wye fitting.