

Features

- Bask® heated surface creates spa-like relaxation with soothing warmth on your back, shoulders, and neck.
- Three heat settings allow you to customize the surface temperature.
- Molded lumbar support offers extra comfort while bathing.
- Oval-shaped basin offers a graceful and spacious bathing experience.
- Slotted overflow allows for deep soaking.
- Requires K-7271 or K-7272 Clearflo slotted overflow bath drain (sold separately).
- Center drain.

Material

- Acrylic

Installation

- Drop-in or under-mount.

Additional Hydrotherapy Options

- Soaking Bath - 5717-0
- Soaking Bath + Bask heated surface - 5717-W1
- BubbleMassage air bath - 5718-G
- BubbleMassage air bath + chromatherapy - 5718-GCR
- VibrAcoustic + BubbleMassage air bath - 5718-GVB
- VibrAcoustic + BubbleMassage air bath + Bask heated surface + chromatherapy - 5718-GVBCW
- BubbleMassage air bath + Bask heated surface - 5718-GW
- Whirlpool + heater - 5718-H2
- VibrAcoustic - 5718-VB
- VibrAcoustic + chromatherapy - 5718-VBC
- VibrAcoustic + chromatherapy + Bask heated surface - 5718-VBCW
- VibrAcoustic + Bask heated surface - 5718-VBW
- Whirlpool + BubbleMassage air bath - 5718-XH2G

Required Products/Accessories

K-7271 Brass Slotted Overflow Bath Drain

or

K-7272 PVC Slotted Overflow Bath Drain

Recommended Products/Accessories

K-24916 Wireless Music Kit

K-883 Under-Mount Installation Kit

K-886 Under-Mount Installation Kit



Codes/Standards

CSA B45.5/IAPMO Z124

ASTM E162

ASTM E662

UL 1795

CSA C22.2 No. 218.2









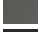
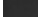
**KOHLER® Plastic Baths and Receptors
Lifetime Limited Warranty**

**KOHLER® Hydrotherapy Components
Five-Year Limited Warranty**

See website for detailed warranty information.

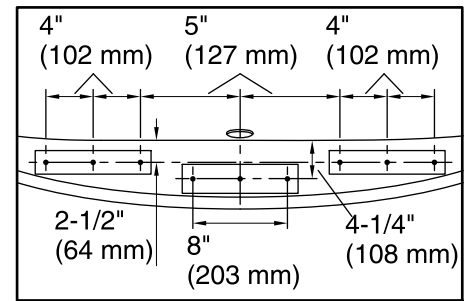
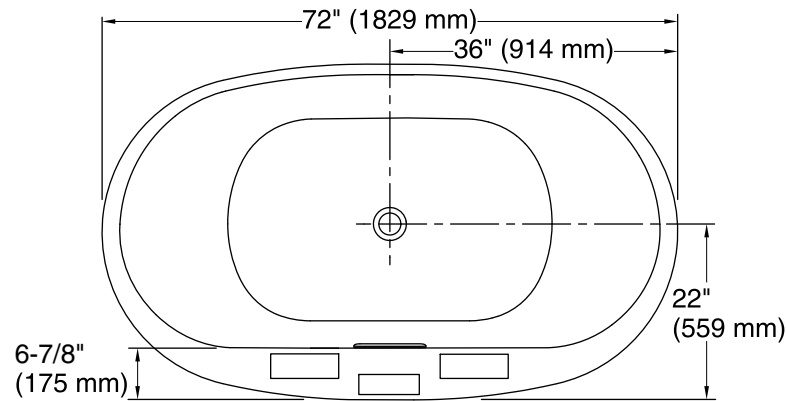
Available Colors/Finishes

Color tiles intended for reference only.

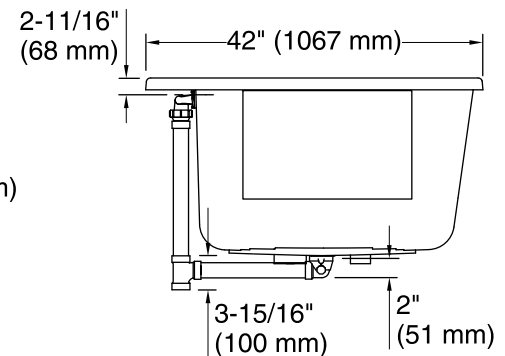
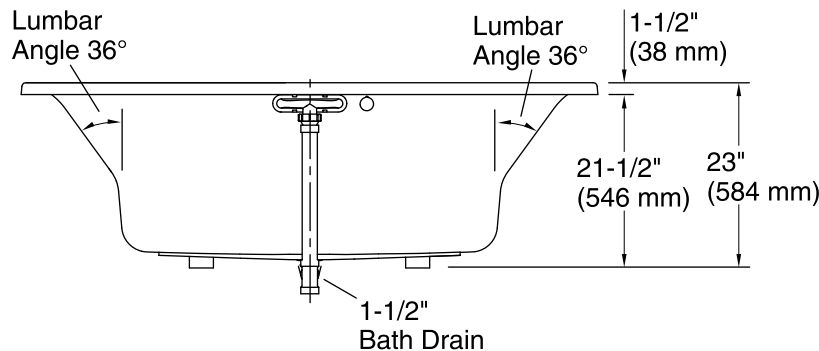
Color	Code	Description
	0	White
	96	Biscuit
	47	Almond
	NY	Dune
	95	Ice™ Grey
	G9	Sandbar
	33	Mexican Sand™
	K4	Cashmere
	58	Thunder™ Grey
	7	Black Black™

No change in measurements if connected with drain illustrated. (K-7272)

□ Recommended Faucet Location



Recommended Faucet Hole Location



Required Electrical Service

One circuit required, protected with Class A Ground-Fault Circuit-Interrupter (GFCI). Outside North America, this device may be known as a Residual Current Device (RCD).

Heated Surface: 120 V, 15 A

Technical Information

All product dimensions are nominal.

Installation:	Drop-in, Under-mount
Drain location:	Center
Basin area, bottom:	46-5/16" x 31-3/16" (1177 mm x 792 mm)
Basin area, top:	63-7/16" x 34-1/4" (1611 mm x 869 mm)
Weight:	111 lbs (50.3 kg)
Minimum floor load:	52.5 lbs/ft ² (256.3 kg/m ²)
Water depth:	18-5/8" (472 mm)
Water capacity:	112.2 gal (424.7 L)
Template:	Drop-in, 1268440-7, required, included
Electrical component rating:	Heated Surface: 120 V, 0.5 A, 60 Hz, 65 W

Notes

Measure your actual product for rough-in details. Install this product according to the installation instructions.

The hot water supply should be 70% of the capacity of the bath or greater. Installations will vary.

If installing a rim-mount faucet, make sure there is no interference above or below the deck before drilling any holes.