

### Features

- Bask® heated surface creates spa-like relaxation with soothing warmth on your back and neck.
- Three heat settings allow you to customize the surface temperature.
- Oval shape creates a graceful and spacious bathing experience.
- Molded lumbar support and armrests offer extra comfort while bathing.
- Textured bottom surface.
- End drain.
- Under-mountable

### Material

- Acrylic

### Installation

- Drop-in or under-mount.
- Smooth backside for easy handling and mounting of drain and overflow.

### Recommended Products/Accessories

K-24916 Wireless Music Kit

K-738 Under-Mount Install Kit - K-6346/K-6347



### Codes/Standards

CSA B45.5/IAPMO Z124

UL 1795

CSA C22.2 No. 218.2

### KOHLER® Plastic Baths and Receptors

#### Lifetime Limited Warranty

#### KOHLER® Hydrotherapy Components




#### Five-Year Limited Warranty

See website for detailed warranty information.

### Available Colors/Finishes

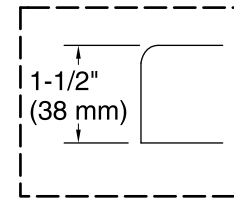
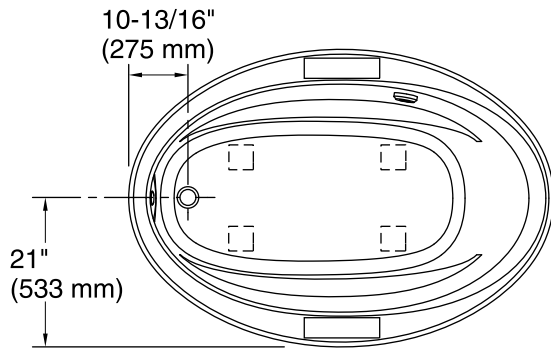
*Color tiles intended for reference only.*

#### Color Code Description

	0	White
	96	Biscuit
	47	Almond

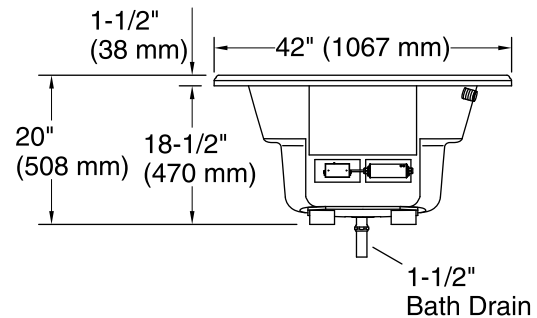
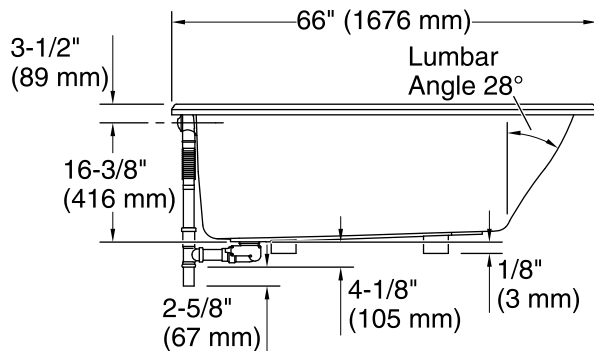
No change in measurements if connected with drain illustrated. (K-37382)

 Recommended Faucet Location



**Drop-in Rim Detail**

**Access Panel**  
20" (508 mm) W x 15" (381 mm) H



### Required Electrical Service

One circuit required, protected with Class A Ground-Fault Circuit-Interrupter (GFCI). Outside North America, this device may be known as a Residual Current Device (RCD).

Heated Surface: 120 V, 15 A, 60 Hz

### Technical Information

All product dimensions are nominal.

Installation:	Drop-in
Drain location:	End
Basin area, bottom:	48-5/8" x 24-1/2" (1235 mm x 622 mm)
Basin area, top:	60" x 32-3/16" (1523 mm x 818 mm)
Minimum floor load:	34 lbs/ft <sup>2</sup> (166 kg/m <sup>2</sup> )
Water depth:	14-5/16" (364 mm)
Water capacity:	70 gal (265 L)
Template:	Drop-in, 1233384-7, not required, included
Electrical component rating:	Heated Surface: 120 V, 0.5 A, 60 Hz, 65 W

### Notes

Measure your actual product for rough-in details. Install this product according to the installation instructions.

The hot water supply should be 70% of the capacity of the bath or greater. Installations will vary.

Kit is required for under-mount installations (sold separately).

If installing a rim-mount faucet, make sure there is no interference above or below the deck before drilling any holes.