

### Features

- Freestanding design creates a striking focal point in your bathing area.
- Oval-shaped basin offers a graceful and spacious bathing experience.
- Sloped lumbar support on both ends.
- 16-inch bathing depth offers a deep soaking experience.
- Wide deck along one side simplifies installation and provides support for getting in and out of bath.
- Fluted shroud.
- Textured bottom surface.
- Center drain.

### Material

- Acrylic

### Installation

- Freestanding

### Additional Hydrotherapy Options

- Soaking Bath - K-6369-0
- Soaking Bath + Bask heated surface - K-6369-W1
- BubbleMassage air bath - K-1967-G
- BubbleMassage air bath + Bask heated surface - K-1967-GW
- VibrAcoustic - K-1967-VB
- VibrAcoustic + Bask heated surface - K-1967-VBW

### Recommended Products/Accessories

K-37383 30" Rough-in Cable Bath Drain  
K-37386 rough-in cable drain, PVC, 30" cable  
K-7265 Clearflo Bath Drain  
K-24916 Wireless Music Kit  
K-T37391 Bath Cable Drain Trim  
K-T37392 Bath Cable Drain Trim  
K-T37393 Bath Cable Drain Trim  
K-T37394 Bath Cable Drain Trim  
K-T37395 Bath Cable Drain Trim  
K-T37396 Bath Cable Drain Trim  
K-T37397 Cable Bath Drain Trim



### Codes/Standards

CSA B45.5/IAPMO Z124



### KOHLER® Plastic Baths and Receptors Lifetime Limited Warranty

See website for detailed warranty information.

### Available Colors/Finishes

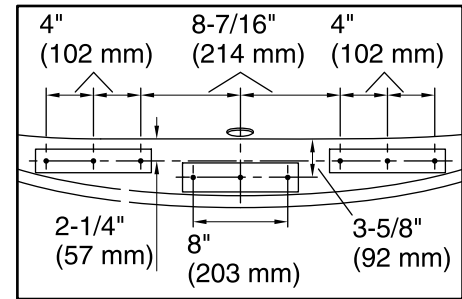
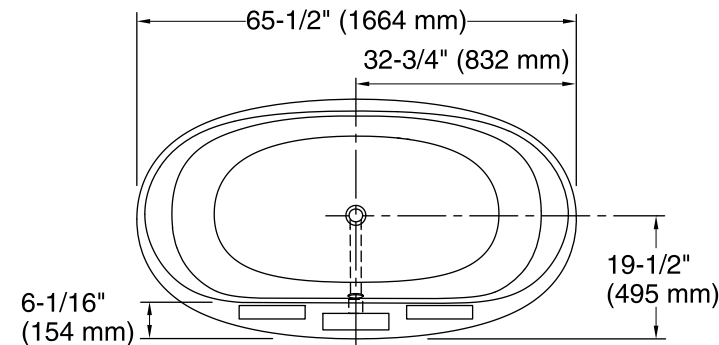
*Color tiles intended for reference only.*

Color	Code	Description
-------	------	-------------

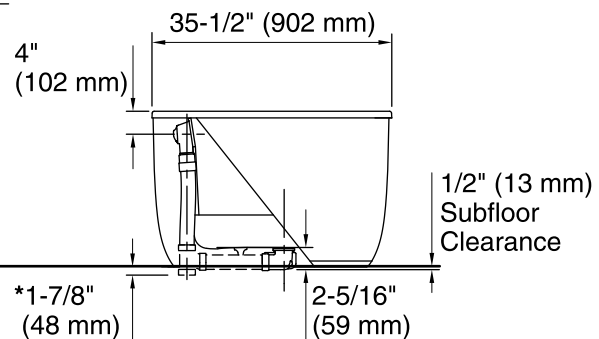
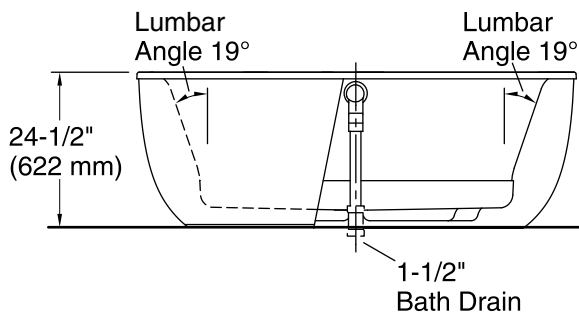
	0	White
	96	Biscuit

No change in measurements if connected with drain illustrated. (K-37385)

 Recommended Faucet Location



**Recommended Faucet Hole Location**



\*Allow for appropriate clearance in subfloor for drain tee clearance.

**Note:** Horizontal PVC pipe and tee shown, not included.

### Technical Information

All product dimensions are nominal.

Installation:	Freestanding
Basin area, bottom:	45-3/4" x 24-7/8" (1162 mm x 632 mm)
Basin area, top:	54-7/8" x 29-3/16" (1394 mm x 741 mm)
Weight:	110 lbs (49.9 kg)
Minimum floor load:	40.4 lbs/ft <sup>2</sup> (197.3 kg/m <sup>2</sup> )
Water depth:	16" (406 mm)
Water capacity:	72.6 gal (274.8 L)
Template:	Footprint, 1245667, not required, not included

### Notes

Measure your actual product for rough-in details. Install this product according to the installation instructions.

The hot water supply should be 70% of the capacity of the bath or greater. Installations will vary.

Do not support the load weight of the bath by the rim.

If installing a rim-mount faucet, make sure there is no interference above or below the deck before drilling any holes.