

### Features

- Vintage artisan-inspired top-mount handle provides a unique statement to any bathroom.
- KOHLER ceramic disc valves exceed industry longevity standards for a lifetime of durable performance.
- KOHLER ceramic disc valves exceed industry longevity standards for a lifetime of durable performance.
- High-temperature limit setting for added safety.
- Includes metal pop-up drain with 1-1/4" metal tailpiece.
- Coordinates with other faucets and accessories in the Artifacts collection.
- 1.2 gpm (4.5 lpm) maximum flow rate at 60 psi (4.14 bar).
- Tall height is ideal for vessel-style sinks.

### Material

- Metal construction.
- KOHLER finishes resist corrosion and tarnishing.

### Installation

- Single-hole mounting.

### Recommended Products/Accessories

- K-23726 Drain treatment
- K-23723 Faucet cleaner
- K-72567 18" Towel Bar
- K-72568 24" Towel Bar
- K-72570 24" Double Towel Bar
- K-72571 Towel Ring
- K-72572 Robe Hook
- K-72573 Pivoting toilet paper holder
- K-72576 Toilet paper carriage



### Codes/Standards

ASME A112.18.1/CSA B125.1  
NSF/ANSI 61  
NSF/ANSI 372  
All applicable US Federal and State material regulations  
DOE - Energy Policy Act 1992  
EPA WaterSense®  
California Energy Commission (CEC)

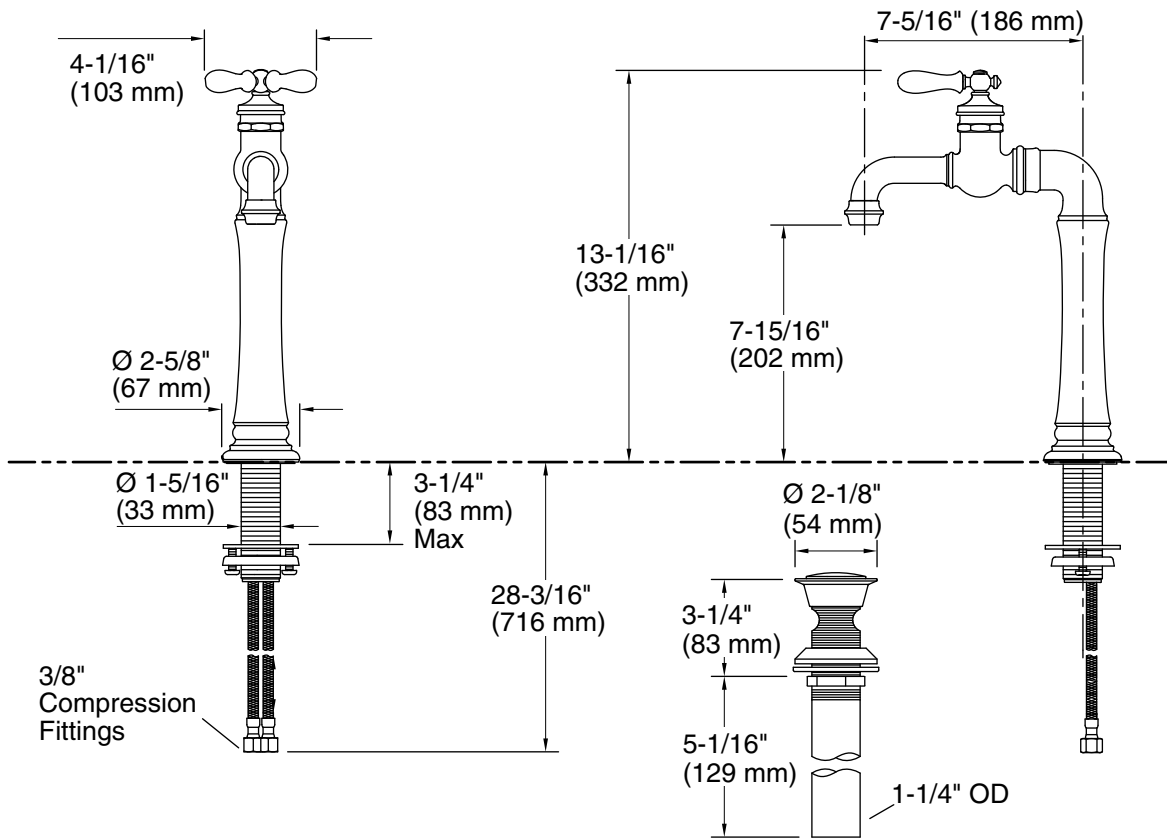
### KOHLER® Faucet Lifetime Limited Warranty

See website for detailed warranty information.

### Available Colors/Finishes

*Color tiles intended for reference only.*

Color	Code	Description
	CP	Polished Chrome
	SN	Vibrant® Polished Nickel
	BN	Vibrant® Brushed Nickel
	BV	Vibrant® Brushed Bronze
	2BZ	Oil-Rubbed Bronze
	2MB	Vibrant® Brushed Moderne Brass



### Technical Information

All product dimensions are nominal.

#### Faucet:

Flow rate: 1.2 gal/min (4.5 l/min)

Pressure: 60 psi (4.1 bar)

Valve body: Machined-brass

Drain with overflow: Yes

#### Spout:

Spout reach: 7-5/16" (186 mm)

### Notes

Install this product according to the installation instructions.

For new installations, assemble the faucet to the sink before installing the sink.