

FLOU Pressure Balancing Mixer W/Diverter Item #4150

Features:

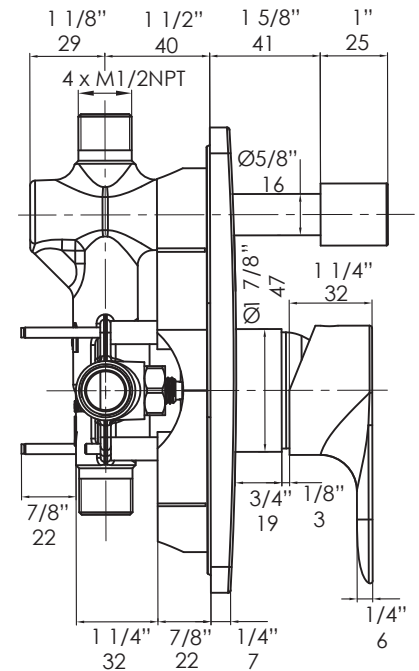
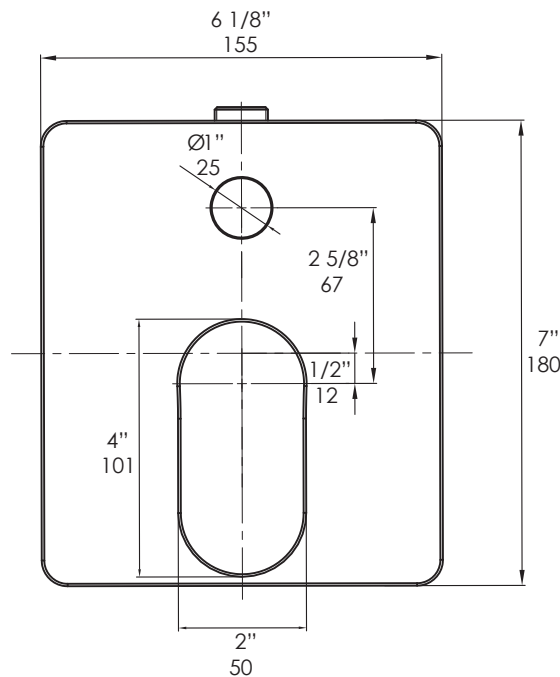
- Built-in pressure balance valve with lever handle, diverter and backplate
- Brass construction with single ceramic disc cartridge
- Includes rough-in and trim
- Mixing valve cycles from cold to hot water
- Anti-scald protection & temperature regulation for flow rates as low as 2.4 GPM
- Screwdriver service stops
- 1/2" Female NPT inlets & outlet
- It can be installed to meet ADA compliance
- Freight class 1 based on the Lacava Freight Program



Finish Options:

- CR - Polished Chrome
- NI - Brushed Nickel
- 44 - Matte Black

Product Specifications:



Notes:
 Drawings provided herein are meant to give the user an idea of the product and are not made to scale. The size in inches is rounded up to the nearest 1/16".
 Plumbing specifications are only a guideline and may need to be altered based on the application.
 Product specifications are not binding to the manufacturer and can be changed without notice at any time. Please refer to your shipment for product final sizes.

LACAVA is committed to the highest level of customer service. Please feel free to contact us at 1-888-522-2823 (toll free) or by email at info@lacava.com for technical assistance or any general inquiries.

Rev. 02-15-2017