

4115-3106 BARRETT™ HET



Elongated Front, SmartHeight™ Vitreous China, Two-Piece Toilet

FEATURES

- Concealed trapway for easier cleaning
- 1.28 gpf / 4.86 lpf low water consumption
- Elongated front, SmartHeight™ bowl
- Complies with ADA requirements for accessibility
- High performance MagnaFlush™ flushing technology
- 3" flush valve
- Pilot operated anti-siphon fill valve
- 12" rough-in
- Model 69 side-mount metal trip lever
- 2-1/8" glazed trapway
- The Mansfield® limited lifetime warranty
- Available in White, Biscuit and Bone



MODEL 4115-3106

Toilet seat not included



ELONGATED



SMARTHEIGHT ADA

COMPONENTS

MODEL #	DESCRIPTION	CODES/STANDARDS
4115-3106	Elongated front, SmartHeight™, two-piece toilet. Less toilet seat and supply. Specify color.	
4115	Elongated front, SmartHeight™ toilet bowl only. Less toilet seat and supply. Specify color.	
3106	Tank and cover only, with left hand, side-mount, chrome-plated, metal trip lever. Less supply. Specify color.	

TANK TRIM & REPLACEMENT PARTS





69	Trip lever - side-mount, chrome-plated, metal trip lever, left hand
2206	Pilot operated fill valve
630-0207	Replacement flapper
106-LID	Tank lid

4115-3106 BARRETT™ HET



Elongated Front, SmartHeight™ Vitreous China, Two-Piece Toilet

SPECIFICATIONS

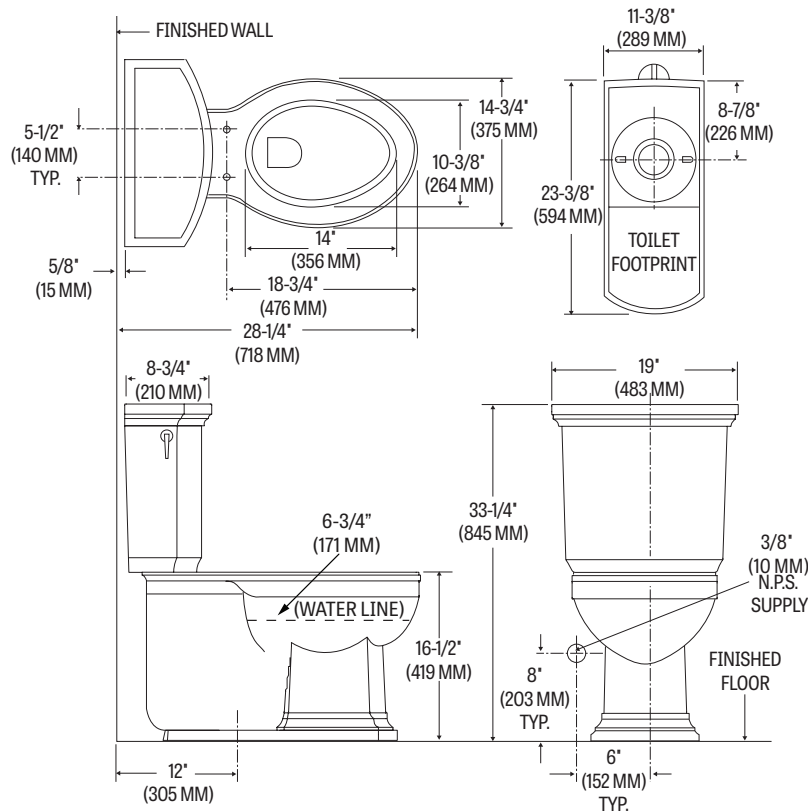
MODEL #	DESCRIPTION	CODES/STANDARDS
4115-3106	Elongated front, SmartHeight™ (1.28gpf/4.86 lpf) two-piece toilet	   

MATERIAL	Vitreous China
WATER PRESSURE RANGE	20 to 80 PSI
FLUSH SYSTEM	MagnaFlush™ flushing technology
WATER USAGE	1.6 gpf / 6.0 lpf
WATER SURFACE AREA	8-1/4" X 10-3/8"
ROUGH-IN	12"
MAP RATING	800 grams

TRAP DIAMETER	2-1/8"
TRAP SEAL	2-1/4"
SHIPPING WEIGHT	Model 4115- 69 lbs. (31 kg) Model 3106- 40 lbs. (18 kg)
WARRANTY	Vitreous China - Limited Lifetime Tank Trim - Limited One Year

TECHNICAL INFORMATION

Note: these dimensions are nominal and subject to change without notice.



Fixture performance and specifications meet or exceed ASME A112.19.2-2013/CSA B45.1-13 standards, and other state and local codes.