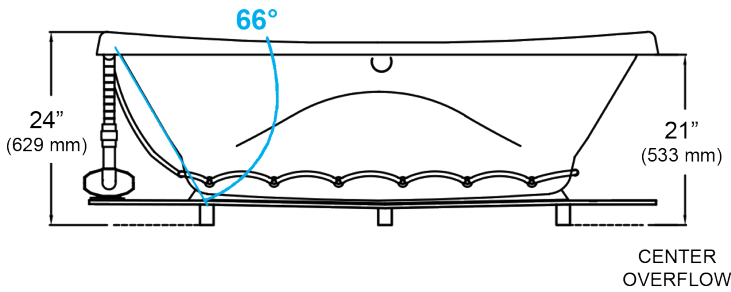
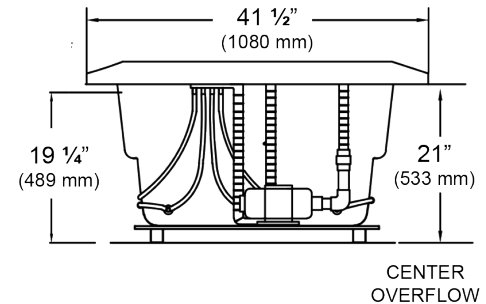
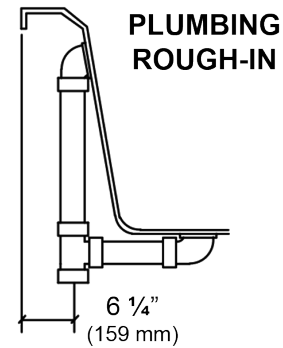
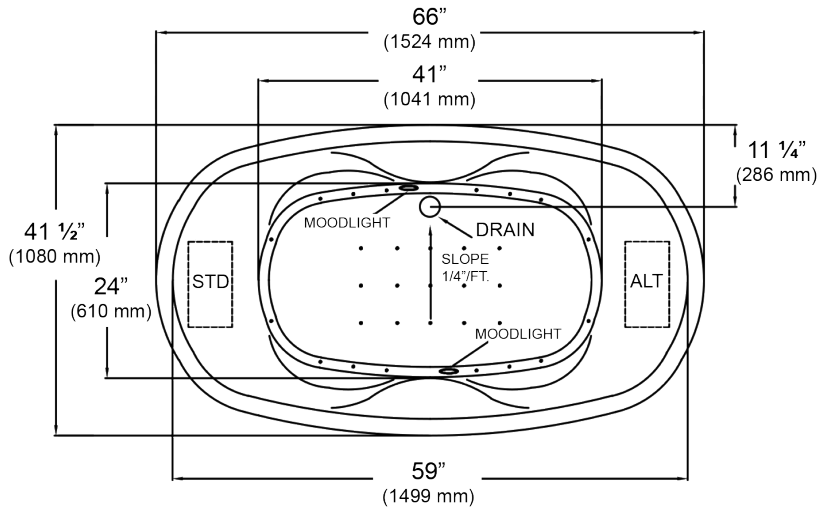


5333

MANSFIELD®

Essence - 66" x 41 1/2" x 24"
Swirl-way® Air Massage Bath



NOTES:

1. Blower locations shown for clarity. Specify when ordering STD - Standard or ALT - Alternate.
2. Required blower motor access is 20" W x 15" H.
3. Measurements may vary 1/4" (+/-)
4. Removable apron is not available for this unit.
5. These dimensions are nominal and subject to change without notice.

SPECIFICATIONS

| Specification | Description | Specification | Description |
|-------------------------|---|----------------------|--|
| Material | Acrylic, fiberglass reinforced | Number of Jets | 32 |
| Construction | Self-contained, pre-plumbed air bath system mounted on a pre-leveled base | Water Capacity | 76 gal. (min) 90 gal. (max) |
| Blower Motor | 1.0 HP Variable Speed - 120 V, 9.0 AMP | Floor Loading Weight | 47 lbs. / sq. ft (229 kg/m ²) |
| Electrical Requirements | One 120V, 20 AMP, GFCI Protected Circuit | Shipping Weight | 175 lbs. |
| On/Off Control | Six button electronic control 20 minute time cycle, and auto purge cycle | Warranty | Limited Ten Year |

