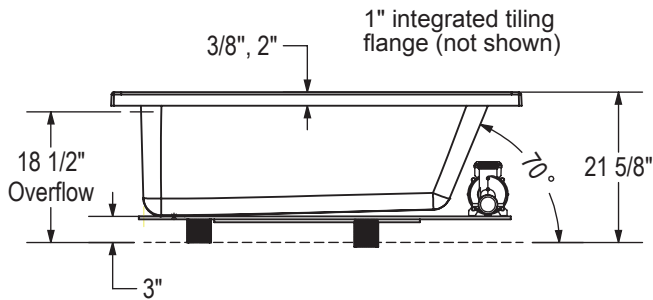
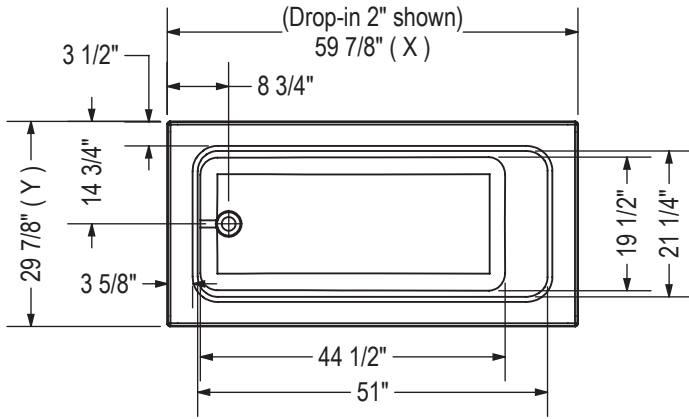


Technical drawing is universal for all 6030 configurations.  
 External dimension (X,Y) vary depending on configuration (see chart)

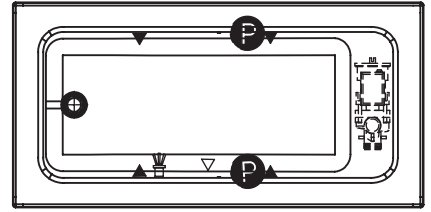


	DROP IN 2"	DROP IN 3/8"	ALCOVE / CORNER
X	59 7/8"	59 3/4"	59 5/8"
Y	29 7/8"	29 3/4"	29 7/8"

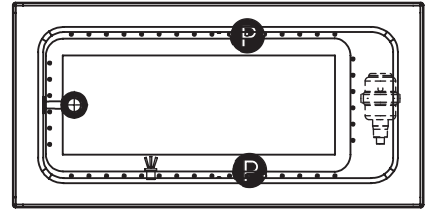
Wood support design may vary.  
 Integrated tiling flange: 1" height X 1/4" thickness (not shown)  
 Tiling flange position is determined by chosen configuration.

All dimensions are approximate.  
 Structure measurement must be verified against the unit to ensure proper fit.

## WHIRLPOOL SYSTEM



## AIR SYSTEM



- ( ⊕ ) : Indicates optional grab bar positioning
- ( ▲ ) : Indicates whirlpool jets positioning
- ( ● ) : Indicates Aerofeel airjets positioning
- ( △ ) : Indicates suction positioning
- ( ◻ ) : Indicates chromotherapy light positioning

## APRON (alcove version only)

