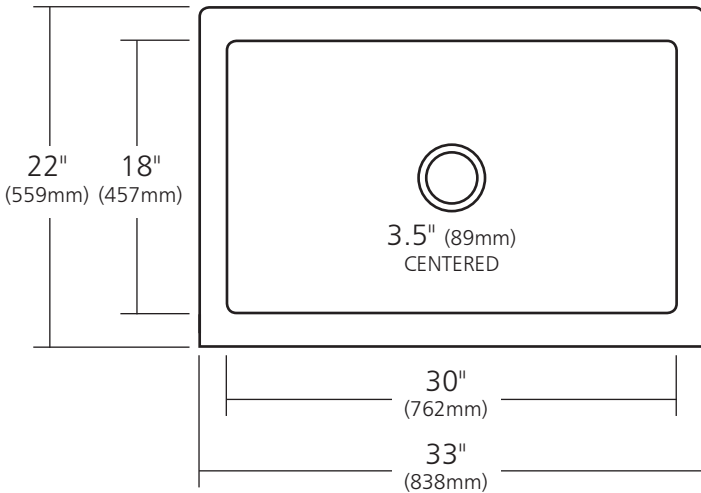


SPECIFICATIONS

PARAGON

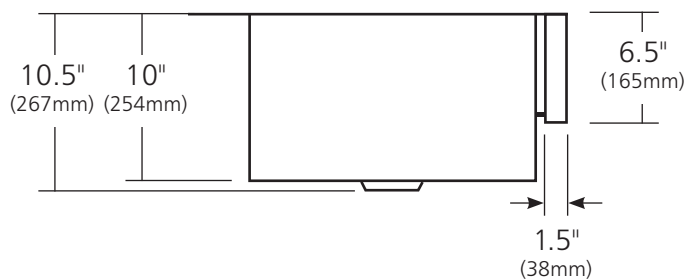
TOP VIEW



FRONT VIEW



SIDE VIEW



CPK291 Antique
CPK591 Brushed Nickel

PRODUCT DETAILS

- 33" x 22" x 10.5" OD (838mm x 559mm x 267mm)
- 6.5" Apron (165mm) allows for installation in standard cabinet
- 30" x 18" x 10" ID (762mm x 457mm x 254mm)
- Hand hammered 16 gauge recycled copper
- Apron extends 1.5" (38mm) on sides
- 3.5" (89mm) drain opening
- Dimensions are not exact and may vary $\pm .5"$ (13mm)

INSTALLATION

- Undermount

COORDINATING PRODUCTS

- Drains: DR320 or DR340
- Bottom Grid: GR2917
- MetalProtect™

STANDARDS COMPLIANCE

- UPC/cUPC compliant

IMPORTANT

Due to the handcrafted nature of this product, it will vary in finish, texture, hammering, and other details. Dimensions may vary up to .5" (13mm). We strongly recommend waiting for the actual product before making any installation cuts.