

# DORRANCE

## Roman Tub Deck Trim

# 3-2976



### Features

- Solid brass construction
- 6.43" (16.3 cm) spout height at outlet
- 7.88" (20.0 cm) spout reach (c-c)
- Intended for use with Newport Brass rough valve kit (Required Accessory) which incorporates the following:
  - Brass valve bodies and quick-connect spout fitting
  - Quarter-turn washerless ceramic disc 3/4" valve cartridges
- ADA Compliant

### Codes / Standards Compliance

Meets or exceeds the following at date of manufacture:

- ASME A112.18.1/CSA B125.1
- IAMPO/cUPC
- IPC
- ADA & ICC/ANSI A117.1
- All applicable US Federal and State material regulations

### Colors / Finishes

- 10B: Oil Rubbed Bronze
  - 15: Polished Nickel
  - 15S: Satin Nickel - PVD
  - 26: Polished Chrome
- Other: Refer to the Newport Brass catalog for additional color/finish options.



### Specified Model

Model	Description	Colors   Finishes				
3-2976	Wall Tub Spout	<input type="checkbox"/> 10B	<input type="checkbox"/> 15	<input type="checkbox"/> 15S	<input type="checkbox"/> 26	<input type="checkbox"/> Other

### Required Accessory

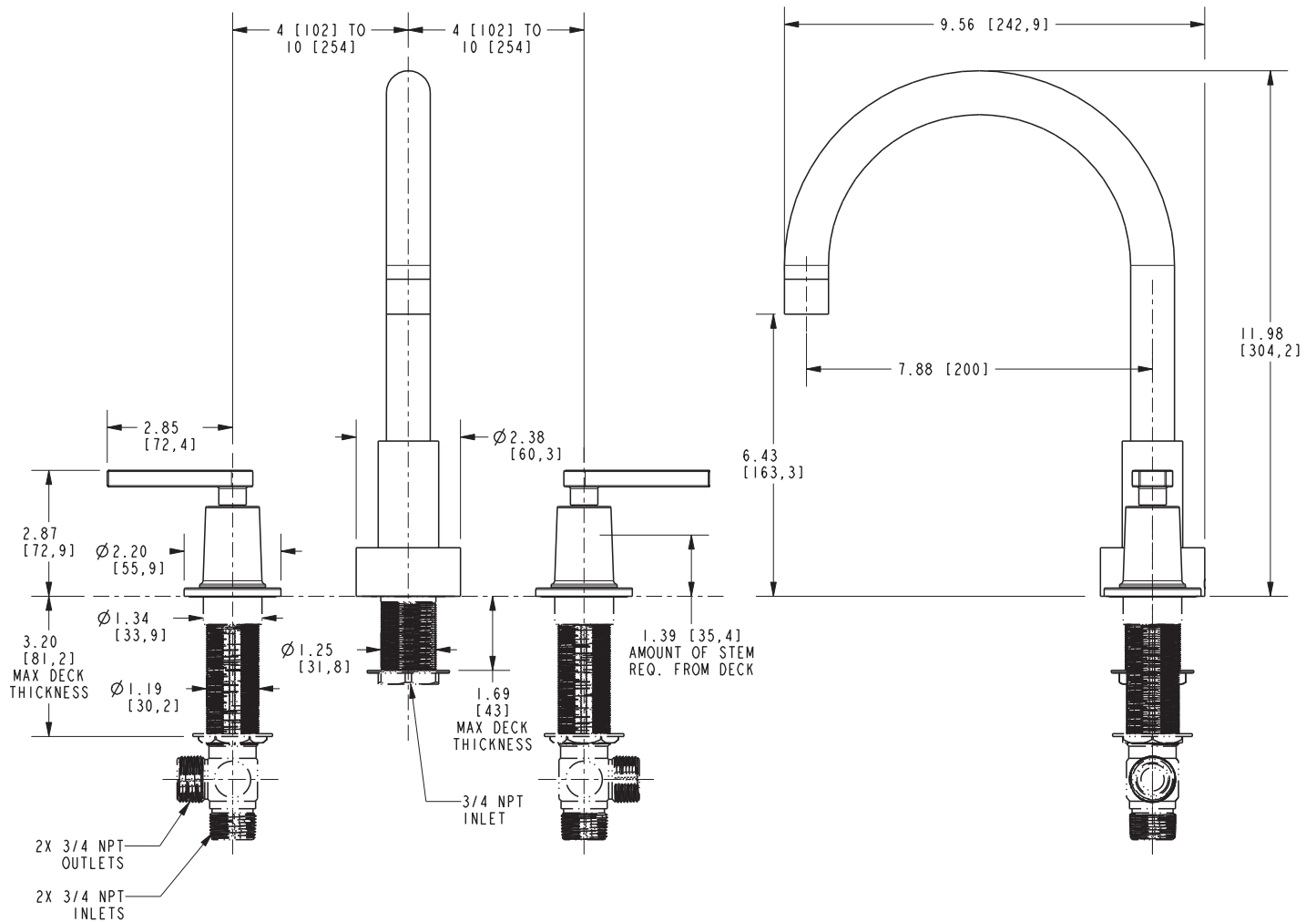
<b>System Element</b>	Deck Tub Valve
<b>Description</b>	2-Valve Assembly With Quick Connect Spout Adapter
<b>Inlet/Outlet Size</b>	3/4"
<b>Part Number</b>	1-665
<b>Image</b>	

### Product Specification Add "Color / Finish" suffix to Model number, below.

The Roman Tub Deck Trim shall be made of solid brass construction. Roman Tub Deck Trim shall incorporate lever handles. Product shall incorporate a 6.43" (16.3 cm) spout height at outlet and a 7.88" (20.0 cm) spout reach (c-c). Rough valve kit shall incorporate brass valve bodies with quarter-turn washerless ceramic disc 3/4" valve cartridges and a quick-connect spout fitting. Roman Tub Deck Trim shall be Newport Brass Model 3-2976/\_\_\_\_ and Newport Brass rough valve kit shall be 1-665.

# 3-2976

## PRODUCT DIMENSIONS *(Units are in inches)*



### Dorrance Roman Tub Deck Trim 3-2976