



OLYMPIA FAUCETS, INC.
3325 S. Garfield Ave.
Commerce, CA 90040
(888) 772-7701
www.olympiafaucets.com

INSTALLATION

Tools:



Flat Head Screwdriver



Plumbers Putty



Teflon Tape



Rags

Model Number: D-820R-PVC, D-820RS-PVC

Warnings and Notes:

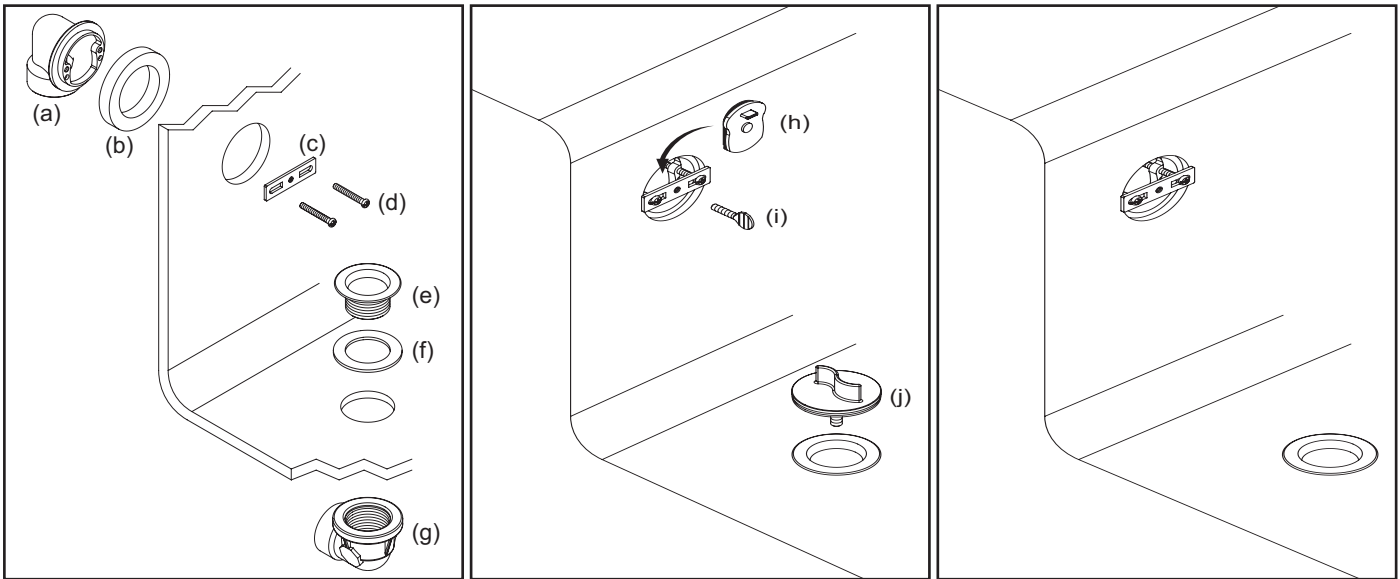
Check with local plumbing code requirements before installation.
This product should be installed by a local listed plumber.

Do not use plumbers putty on threads.



Installation Steps:

Rough-in



(1) Have (a) Drain Head and (b) Sponge Washer align with the overflow cut-out. (Rotate sponge washer to match angle of tub) Align (c) Horizontal Bar's cut-out with (a) Drain Head's thread holes as much leveled to ground as possible. Rotate the provided (d) Screws clockwise through (c) Horizontal Bar's cut-out and into (a) Drain Head until tighten, but do not overtighten. Align (e) Strainer, (f) Rubber Washer, and (g) Drain Shoe with the tub drain hole cut-out shown in picture. (Rotate Drain Shoe to desire direction) Rotate the (e) Strainer clockwise with the (f) Rubber Washer into the (g) Drain Shoe until tighten, but do not over tighten.

(2) Insert (h) Overflow Test Cap into the overflow cut-out and rotate clockwise the provided (i) Test Cap Pin into pre-threaded hole at the center of the (c) Horizontal Bar until tighten, but do not over tighten. Rotate clockwise (j) Tub Drain Test Cap into the (e) Strainer until tighten, but do not over tighten. Finish testing process to ensure no leak is found behind/under the bath tub.

(3) Once testing process is completed, please remove the (i) Test Cap Pin first, then remove (h) Overflow Test Cap and (j) Tub Drain Test Cap from previous steps. *Note: For D-820H-PVC and D-820HS-PVC series, please proceed to installation instruction for trim kits.





OLYMPIA FAUCETS, INC.
 3325 S. Garfield Ave.
 Commerce, CA 90040
 (888) 772-7701
 www.olympiafaucets.com

INSTALLATION

Tools:



Model Number: D-820T



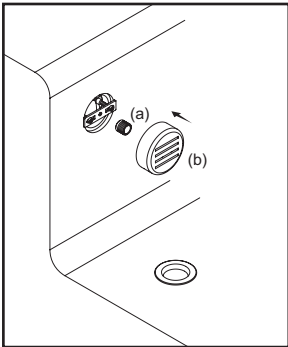
Warnings and Notes:

Check with local plumbing code requirements before installation.
 This product should be installed by a local listed plumber.
Do not use plumbers putty on threads.

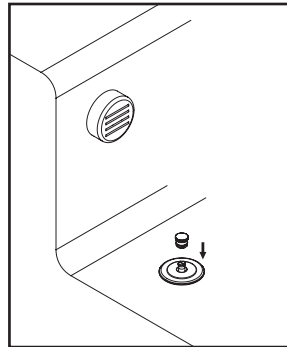


Installation Steps:

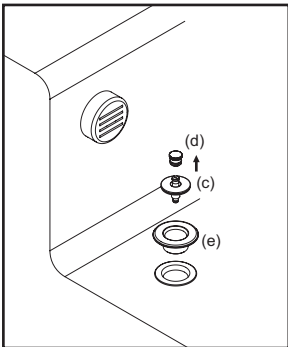
Push-Pull Bath Drain



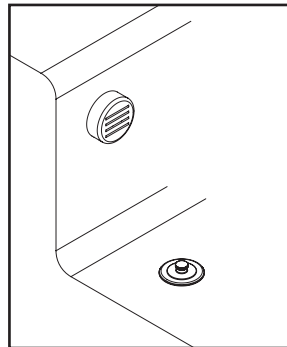
(1) For OP-440064 – thread & secure the adapter (a) onto center hole of horizontal bar. Apply about 10 Kg or 22 lbf of force on the overflow cap (b) to attach the thread inside onto the adapter thread. Have the bottom opening face down for optimal drain performance. Before overflow cap is fully pushed in, make sure the ribs inside the overflow cap align with the horizontal bar to prevent the cap from rotating. For items X-6400032 and X-6400033 be sure to align the holes of the respected face plate onto the horizontal bar and use the provided screws to attach the face plate to the horizontal bar.



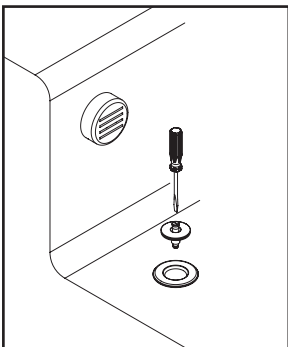
(4) Hold push & pull knob (d) to turn clockwise to attach onto stopper (c) until tightened. Do not over tighten.



(2) For item OP-440065, Hold the push & pull knob (d) and turn counter-clockwise to detach from stopper (c). Plug (e), for -BN, -MB, & -ORB finishes only, onto the chrome strainer at the bottom of the tub.



(5) Test to see if overflow cap is staying firmly on the adapter. Pull and push the strainer group for functionality.

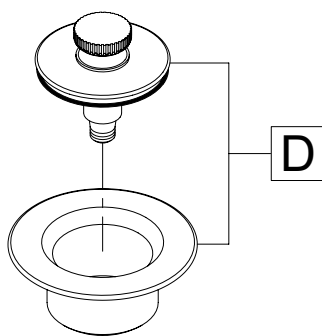
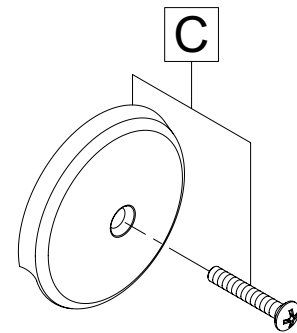
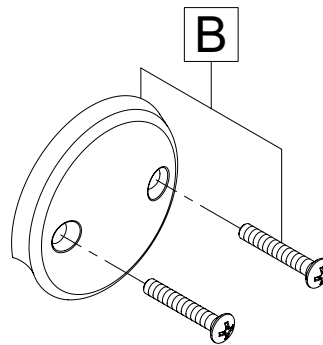
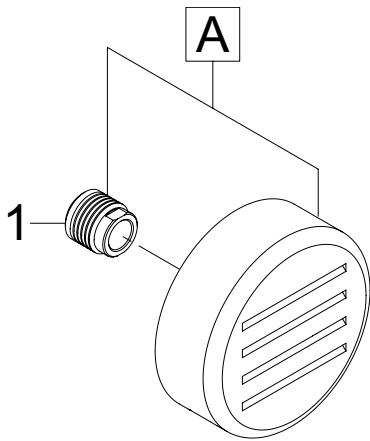


(3) Use a flat head screw driver and turn clockwise to attach the stopper onto the strainer at the bottom of the tub until tightened. Do not over tighten.

Exploded Drawing:

* Note: Please specify finish/color when ordering.

	ITEM #	DESCRIPTION
A	OP-440064*	OVERFLOW CAP (For D-820T)
B	X-6400032*	2-HOLE FACE PLATE W/SCREWS (For D-820TT)
C	X-6400033*	1-HOLE FACE PLATE W/SCREW (For D-820TE)
D	OP-440065*	PUSH & PULL STRAINER GROUP
1	OP-440066	Adapter



For more care information or trouble shooting inquiries
about your Olympia product, Please call:
OLYMPIA FAUCETS, INC. (888) 772-7701
Monday-Friday 8 AM to 8 PM EST (5 AM to 5 PM PST)
www.olympiafaucets.com