



**PIONEER INDUSTRIES, INC.**  
 3325 S. Garfield Ave.  
 Commerce, CA 90040  
 (800) 338-9468  
 www.pioneerind.com

# INSTALLATION

**Tools:**



Power Drill



Silicone Sealant



Teflon Tape



Rags

**Model Number: 6MO400**

**Warnings and Notes:**

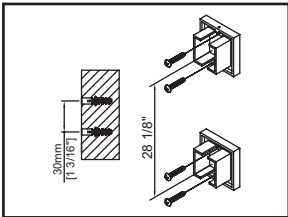
Check with local plumbing code requirements before installation. This product should be installed by a local listed plumber.

**Do not use plumbers putty on threads.**

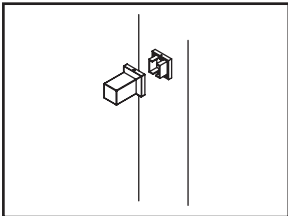


**Installation Steps:**

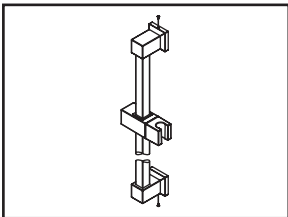
Handheld Shower Set



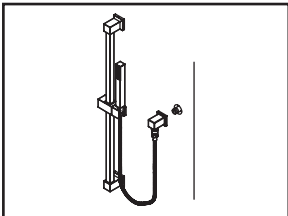
(1) Make sure distance between centers of two mounting plates is  $\sim 28\text{-}1/8"$ , drill four  $1/4"$  holes as shown in the drawing. Use a hammer to tap plastic anchors into the holes and flush with the wall. With set screw hole of mounting plate one on top and one on bottom, secure the mounting plates on wall with mounting screws.



(2) Place top mount on the mounting plate, tighten set screw on the top mount.



(3) Attach handheld shower holder to slide bar. Place slide bar to the top mount then place slide bar to the bottom mount. Place the bottom mount on mounting plate, tighten set screw on the bottom mount.

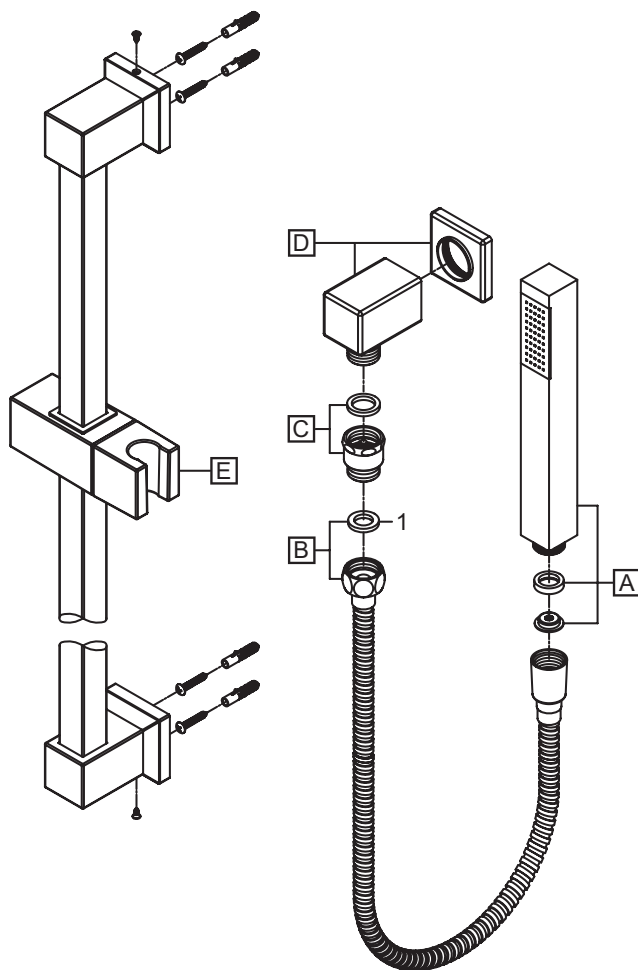


(4) Apply Teflon tape to the pipe nipple stretching out from the wall, slide drop ell flange through the pipe nipple, attach drop ell to pipe nipple, align drop ell to face straight down. Install vacuum breaker to drop ell. Connect 60" stainless steel hose to vacuum breaker. Use silicone sealant to caulk around drop ell to create water tight seal. Turn on water and check for any leaks. Turn off water and connect handheld showerhead to 60" stainless steel hose.

# Exploded Drawing :

\* Note: Please specify finish/color when ordering.

	ITEM #	DESCRIPTION
A	X-4400106*	1.75 GPM Handheld Showerhead
B	OP-460027*	60" SST Hose
C	X-4600005*	Vacuum Breaker
D	X-4600058*	Drop Ell
E	X-4600059*	Slide Bar With Handheld Shower holder
1	OP-460025	Washer



For more care information or trouble shooting inquiries  
 about your Pioneer product, please call:  
**Pioneer Industries, Inc.** (800) 338-9468  
 Monday-Friday 8 AM to 8 PM EST (5 AM to 5 PM PST)  
[www.pioneerind.com](http://www.pioneerind.com)