



INSTALLATION

PIONEER INDUSTRIES, INC.
 3325 S. Garfield Ave.
 Commerce, CA 90040
 (800) 338-9468
 www.pioneerind.com

Tools:



Adjustable Wrench



Plumbers Putty



Teflon Tape



Rags

Model Number: 2MT161H, 2MT171H, 2MT182H

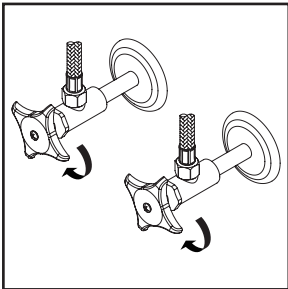


Warnings and Notes:

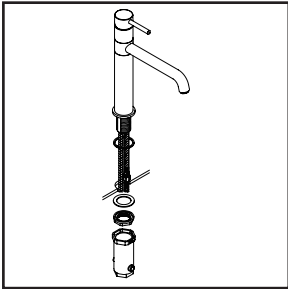
Check with local plumbing code requirements before installation.
 This product should be installed by a local listed plumber.
Do not use plumbers putty on threads.

Installation Steps:

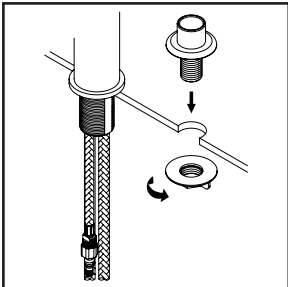
Single Handle Kitchen Faucet



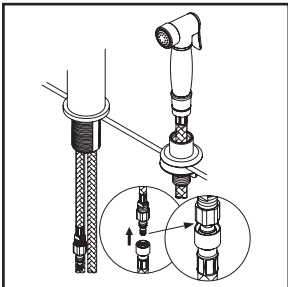
(1) Shut off the water supply. Remove old faucet. Clean mounting surface in preparation for new faucet.



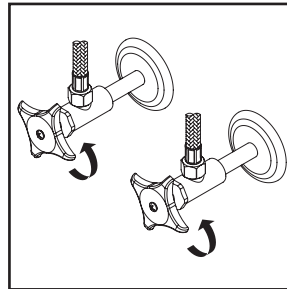
(2) Make sure washer is under escutcheon. Insert faucet through mounting hole. Tighten locknut to the faucet from underneath the sink with help of supplied mounting tool. Go to step (5) if faucet is without side spray.



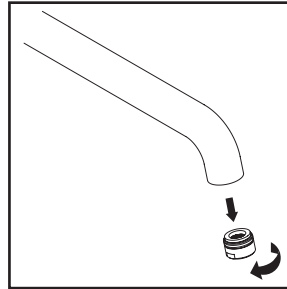
(3) For faucet with side spray, place side spray holder on mounting hole. Tighten locknut from underneath the sink to secure side spray holder.



(4) Guide the side spray hose through the side spray holder. Insert the side spray hose quick connect adapter into the faucet outlet hose end, push until a "click" is heard. Pull side spray hose downward to test engagement.



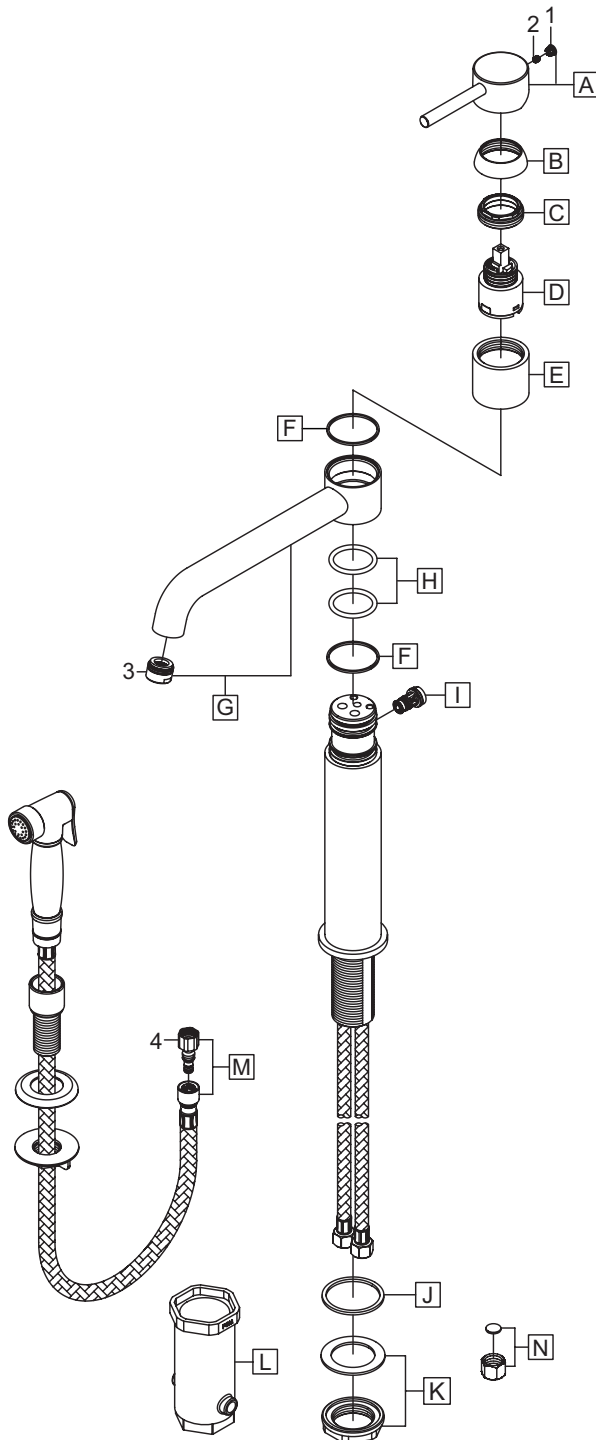
(6) Connect hot and cold inlet supply hoses to supply stops. For 1/2" connection; use 3/8" male to 1/2" female adapter for installation. Adapters are optional and not provided with the faucet. Turn on both sides of the supply stop.



(6) Important: After installation is complete, remove the aerator. Turn on the water and allow both hot and cold water to run for at least one minute each. While water is running, check for leaks. Turn off the water and replace the aerator when finished.

Exploded Drawing (2MT161H):

* Note: Please specify finish/color when ordering.

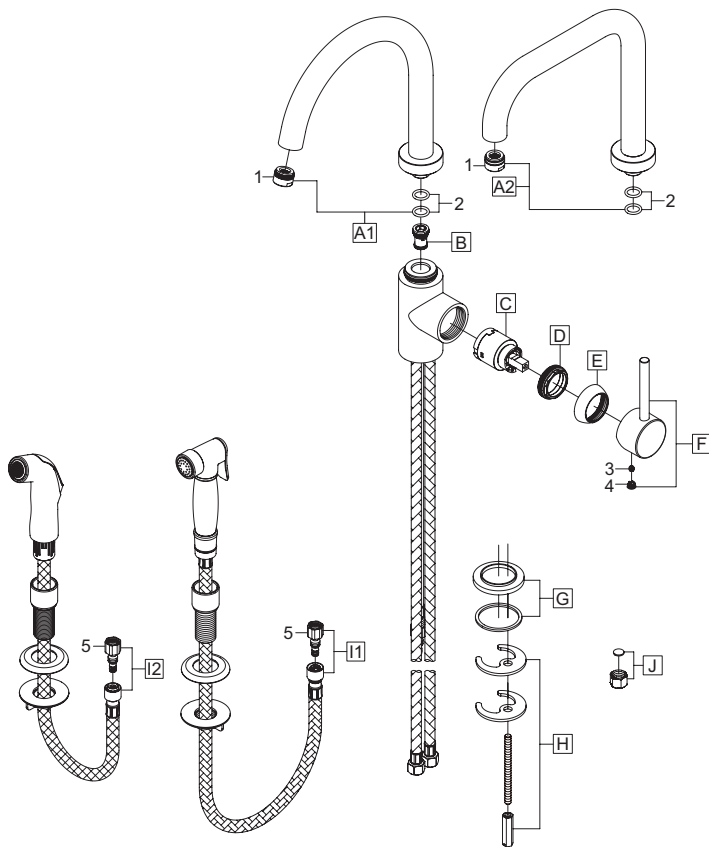


	ITEM #	DESCRIPTION
A	X-1900008*	Lever Handle
B	X-4900017*	Cap
C	X-4900018	Retainer Nut
D	X-3900001	Ceramic Disc Cartridge
E	X-4200091*	Retainer Sleeve
F	X-4200003	Gasket
G	X-2200018*	Motegi Bent Nose Spout
H	X-4200004	O-Ring
I	X-4200007	Diverter Piston
J	X-4200076	Gasket
K	X-5200012	Mounting Kit
L	X-5200021	Mounting Tool
M	X-4200203*	Side Spray Assembly
N	X-4200049	Cap and Washer
1	X-4900044*	Hole Cover
2	X-4400024	Allen Screw
3	X-4900089*	1.5 GPM Aerator
4	OP-420083	Quick Connect Adapter

Exploded Drawing (2MT171H, 2MT182H):

* Note: Please specify finish/color when ordering.

	ITEM #	DESCRIPTION
A1	X-2200019*	Series Spout (For 2MT171H)
A2	X-2200024*	Series 90-Degree Spout (For 2MT182H)
B	X-4200016	Diverter Piston
C	X-3900003	Ceramic Disc Cartridge
D	X-4900018	Retainer Nut
E	X-4900017*	Cap
F	X-1900008*	Lever Handle
G	X-4300019*	Escutcheon and Gasket
H	X-5900002	Mounting Kit
I1	X-4200203*	Side Spray Assembly (For 2MT171H)
I2	X-4200204*	Side Spray Assembly (For 2MT182H)
J	X-4200049	Cap and Washer
1	X-4900089*	1.5 GPM Aerator
2	X-4900070	Spout O-Ring
3	X-4400024	Allen Screw
4	X-4900044*	Hole Cover
5	OP-420083	Quick Connect Adapter



For more care information or trouble shooting inquiries about your Pioneer product, please call:
Pioneer Industries, Inc. (800) 338-9468
 Monday-Friday 8AM to 8PM EST (5AM to 5PM PST)
www.pioneerind.com