



ENGINEERING EXCELLENCE

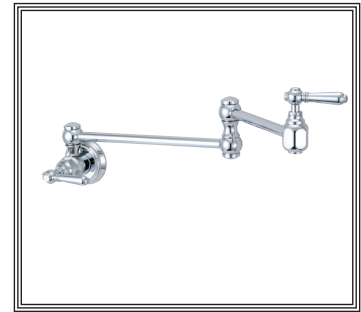
Americana Series #2AM600 SPECIFICATION SHEET

DESCRIPTION

- Wall Mount Pot Filler
- Metal Lever Handles
- Space Saving Swivel Spout
Folds in When Not in Use
- 21-7/8" Spout Reach
- Ceramic Disc Cartridges
- 1-Hole Wall Mount Installation
- Designed for Cold Water
- 1/2" IPS Connection with
flange

FINISHES

- PC Polished Chrome
- BN PVD Brushed Nickel
- SS PVD Stainless Steel
- ORB Oil Rubbed Bronze
- MZ Moroccan Bronze



#2AM600 SHOWN * ADA 

FLOW

- Aerator Limited to 2.0 GPM

STANDARDS APPLICABLE

- ASME A112.18.1
- ANSI A117.1
- ANSI / NSF 61, SECTION 9
- CUPC / IAPMO LISTED / ADA
COMPLIANT
- CONTAINS NO MORE THAN
0.25% WEIGHTED AVERAGE
LEAD CONTENT

Model #: _____

Specific Features: _____

Project Name: _____

Submitted For: _____

Model	Description	Finishes
#2AM600	Wall Mount Pot Filler	<input type="checkbox"/> PC <input type="checkbox"/> Other _____



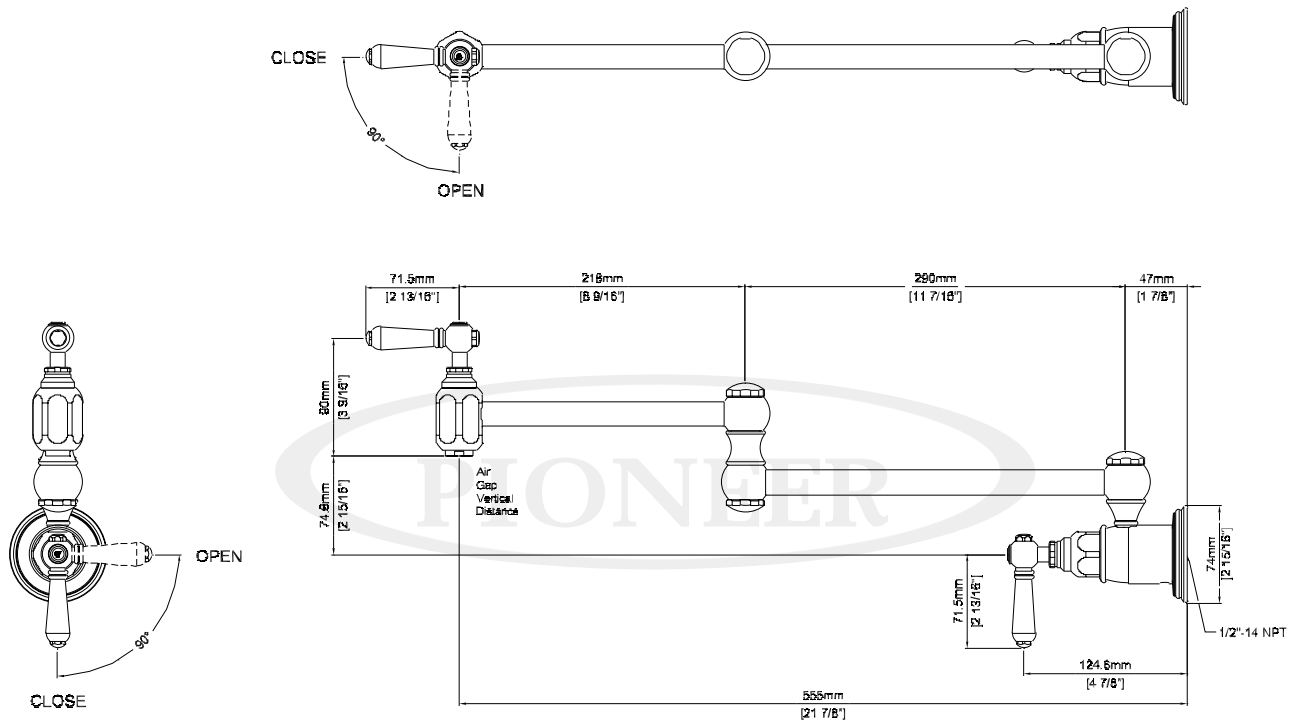
ENGINEERING EXCELLENCE

Pioneer:1-800-338-9468
 Commerce, CA 90040
 www.pioneerind.com
 Pioneer Industries, Inc. © 2016

DMSP2AM600/REV. 08 2016
 Page 1 of 2

Installation Note:

Please refer to the Installation Guide for complete installation instructions



Product Diagram



ENGINEERING EXCELLENCE

Pioneer: 1-800-338-9468
 Commerce, CA 90040
 www.pioneerind.com
 Pioneer Industries, Inc. © 2016