



# ENGINEERING EXCELLENCE

## Motegi Series #2MT270

## SPECIFICATION SHEET

### DESCRIPTION

- Single Handle Pre-Rinse Spring Pull-Down Kitchen Faucet
- Metal Lever Handle
- Pull-Down Head with 2 Spray Patterns Swivel 360°
- 9" Reach, 7" from Deck to Aerator, 22-3/4" Overall Height
- Ceramic Disc Cartridge
- 1 Hole Installation
- Optional 3-Hole 8" Deck Plate Available
- Easy-Install 30" Flex Supply Lines With 3/8" Connections
- Quick Connect Spray Head Hose and Weight, Easy-install mounting nut
- Optional 3-Hole 8" Deck Plate Available

### FINISHES

- PC Polished Chrome
- BN PVD Brushed Nickel



#2MT270 SHOWN \* ADA 

### FLOW

- Pull-Down Sprayhead Limited to 1.8 GPM

Model #: \_\_\_\_\_

Specific Features: \_\_\_\_\_

Project Name: \_\_\_\_\_

Submitted For: \_\_\_\_\_

### STANDARDS APPLICABLE

- ASME A112.18.1
- ANSI A117.1
- ANSI / NSF 61, SECTION 9
- ADA COMPLIANT
- CONTAINS NO MORE THAN 0.25% WEIGHTED AVERAGE LEAD CONTENT

Model	Description	Finishes	
#2MT270	Single Handle Pull Down Kitchen Faucet	<input type="checkbox"/> PC	<input type="checkbox"/> Other____



ENGINEERING EXCELLENCE

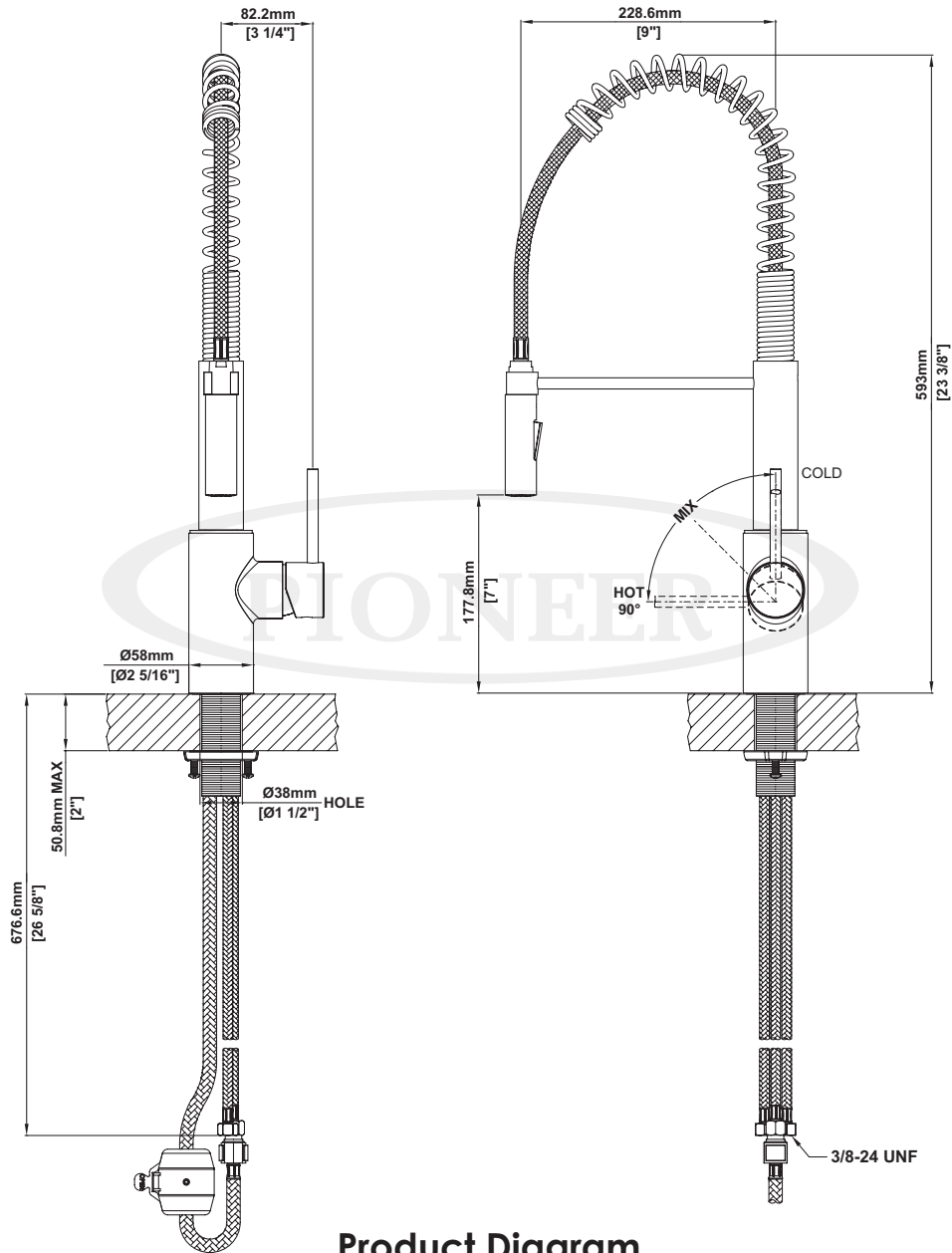
Pioneer:1-800-338-9468  
 Commerce, CA 90040  
 www.pioneerind.com  
 Pioneer Industries, Inc. © 2018

DMSP2MT270/REV. 06 2018  
 Page 1 of 2

**Installation Note:**

Faucet Hole Size:- 1-1/2"

Maximum Deck Thickness:- 2"



**Product Diagram**



ENGINEERING EXCELLENCE

Pioneer: 1-800-338-9468

Commerce, CA 90040

www.pioneerind.com

Pioneer Industries, Inc. © 2018