



# ENGINEERING EXCELLENCE

Motegi Series #3MT168

SPECIFICATION SHEET

### DESCRIPTION

- Single Handle Lavatory Faucet
- Metal Lever Handle
- Bent Nose Spout
- 5-5/8" Reach, 9-3/4" from Deck to Aerator
- Ceramic Disc Cartridge with Temperature Limit Stop
- 1-Hole Installation

### FINISHES

- PC Polished Chrome
- BN PVD Brushed Nickel
- ORB Oil Rubbed Bronze

### FLOW

- Aerator Limited to 1.2 GPM
  - E0.5 - 0.5 GPM Flow Rate
- Aerator Available upon request



#3MT168 SHOWN \* ADA 

### STANDARDS APPLICABLE

- ASME A112.18.1
- ANSI A117.1
- ANSI / NSF 61, SECTION 9
- CUPC / IAPMO LISTED / ADA COMPLIANT
- CONTAINS NO MORE THAN 0.25% WEIGHTED AVERAGE LEAD CONTENT



Model #: \_\_\_\_\_

Specific Features: \_\_\_\_\_

Project Name: \_\_\_\_\_

Submitted For: \_\_\_\_\_

Model	Description	Finishes	
#3MT168	Single Handle Lavatory Faucet	<input type="checkbox"/> PC	<input type="checkbox"/> Other____



ENGINEERING EXCELLENCE

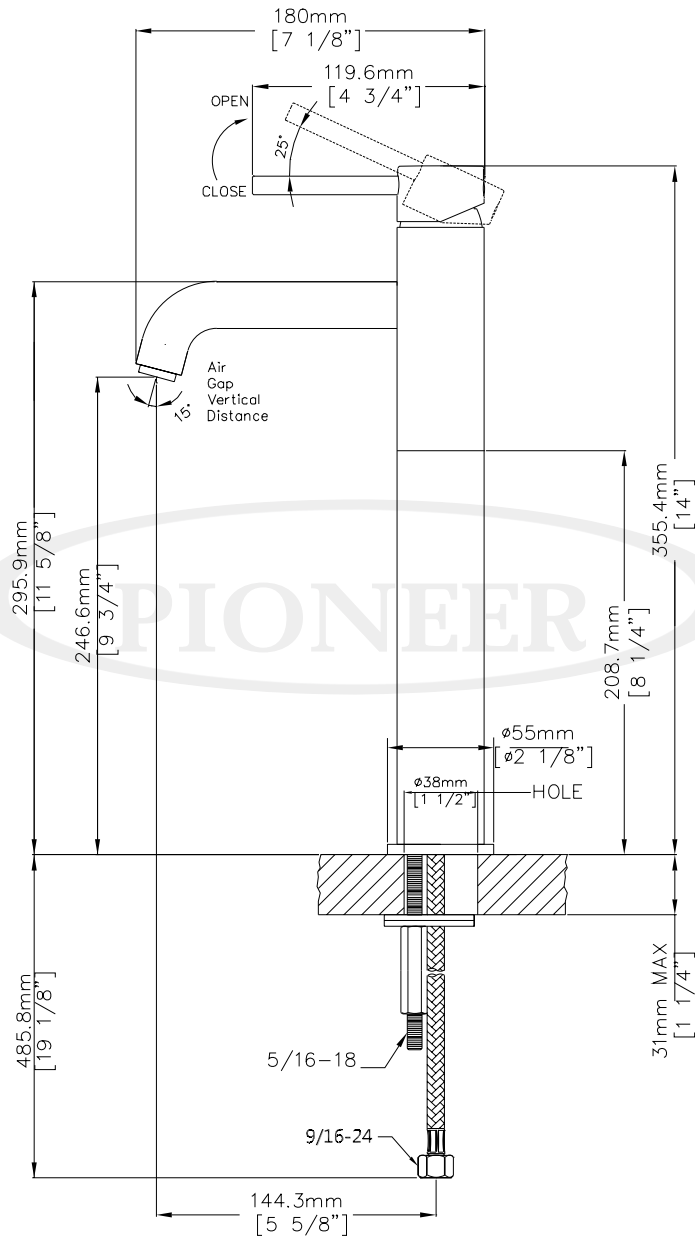
Pioneer:1-800-338-9468  
 Commerce, CA 90040  
 www.pioneerind.com  
 Pioneer Industries, Inc. © 2017

DMSP3MT168/REV. 11 2017  
 Page 1 of 2

**Installation Note:**

Faucet Hole Size:- 1-1/4"

Maximum Deck Thickness:- 1-1/4"



**Product Diagram**



ENGINEERING EXCELLENCE

Pioneer:1-800-338-9468

Commerce, CA 90040

www.pioneerind.com

Pioneer Industries, Inc. © 2017