



# ENGINEERING EXCELLENCE

## Motegi Series #3MT180 SPECIFICATION SHEET

### DESCRIPTION

- Single Handle Lavatory Faucet
- Metal Lever Handle
- Gooseneck Spout Swivel 90°
- 5-1/2" Reach, 8-1/2" from Deck to Aerator
- Ceramic Disc Cartridge with Temperature Limit Stop
- 1-Hole Installation
- Brass Pop-Up Drain Assembly
- 3/8" Compression SS Flex Connector Lines

### FINISHES

- PC Polished Chrome
- BN PVD Brushed Nickel
- MB Matte Black



#3MT180 SHOWN \* ADA 

### STANDARDS APPLICABLE

- ASME A112.18.1
- ANSI A117.1
- ANSI / NSF 61, SECTION 9
- CUPC / IAPMO LISTED / ADA COMPLIANT
- CONTAINS NO MORE THAN 0.25% WEIGHTED AVERAGE LEAD CONTENT

### FLOW

- Aerator Limited to 1.2 GPM
- E0.5 - 0.5 GPM Flow Rate Aerator Available upon request



Model #: \_\_\_\_\_

Specific Features: \_\_\_\_\_

Project Name: \_\_\_\_\_

Submitted For: \_\_\_\_\_

Model	Description	Finishes
#3MT180	Single Handle Lavatory Faucet	<input type="checkbox"/> PC <input type="checkbox"/> Other___



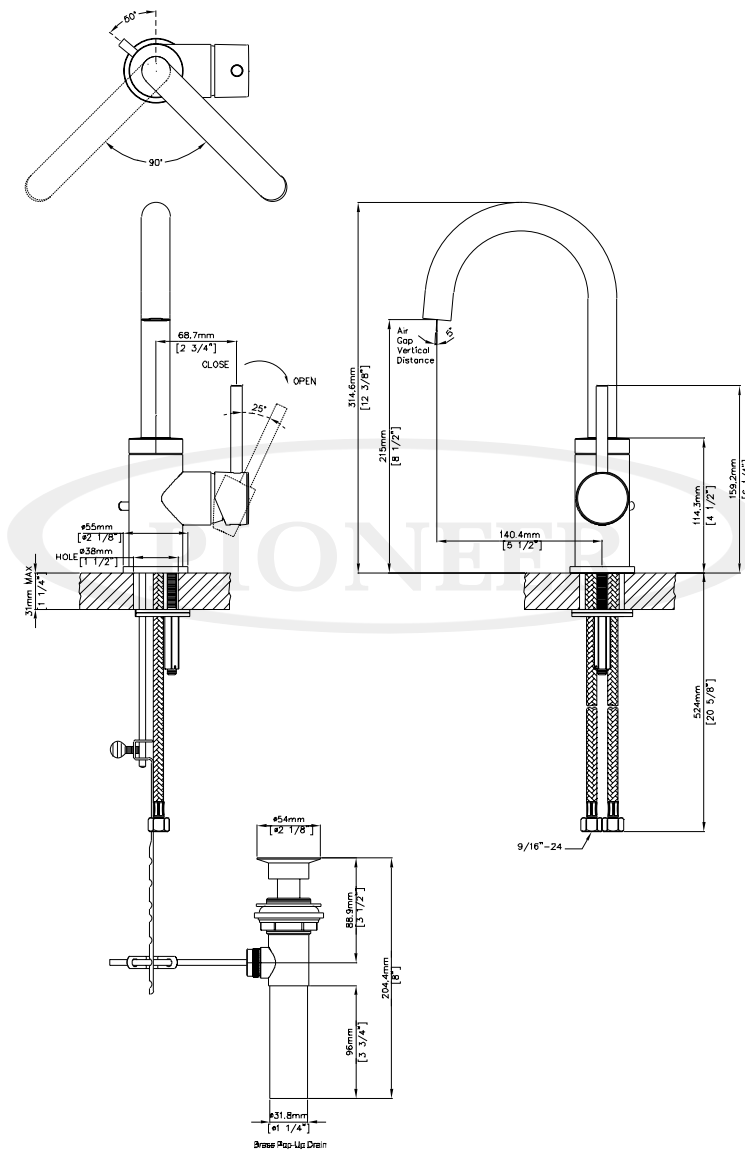
ENGINEERING EXCELLENCE

Pioneer:1-800-338-9468  
 Commerce, CA 90040  
 www.pioneerind.com  
 Pioneer Industries, Inc. © 2017

**Installation Note:**

Faucet Hole Size:- 1-1/4"

Maximum Deck Thickness:- 1-1/4"



**Product Diagram**



ENGINEERING EXCELLENCE

Pioneer:1-800-338-9468

Commerce, CA 90040

www.pioneerind.com

Pioneer Industries, Inc. © 2017