



ENGINEERING EXCELLENCE

Mod Series #4MO611

SPECIFICATION SHEET

DESCRIPTION

- Two Handle Roman Tub Set With Handheld Showerhead
- Metal Lever Handles
- Rigid Spout
- 6-5/8" Reach
- Ceramic Disc Cartridges
- 4-Hole 8" to 16" Installation
- Includes Integral Diverter Valve
- Single Function Handheld Showerhead
- With 1.75 GPM Flow Rate

FINISHES

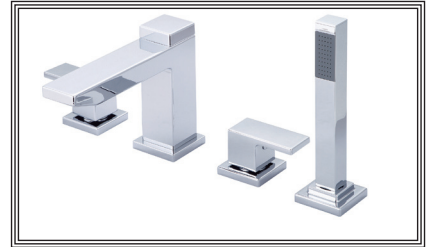
- PC Polished Chrome
- BN PVD Brushed Nickel

Note:-

Rough-in valve included.

FLOW

- Handheld Showerhead Limited to 1.75 GPM



#4MO611 SHOWN * ADA 

STANDARDS APPLICABLE

- ASME A112.18.1
- ANSI A117.1
- CUPC / IAPMO LISTED / ADA COMPLIANT

Model #: _____

Specific Features: _____

Project Name: _____

Submitted For: _____

Model	Description	Finishes	
#4MO611	Two Handle Roman Tub Set With Handheld Showerhead	<input type="checkbox"/> PC	<input type="checkbox"/> Other____



ENGINEERING EXCELLENCE

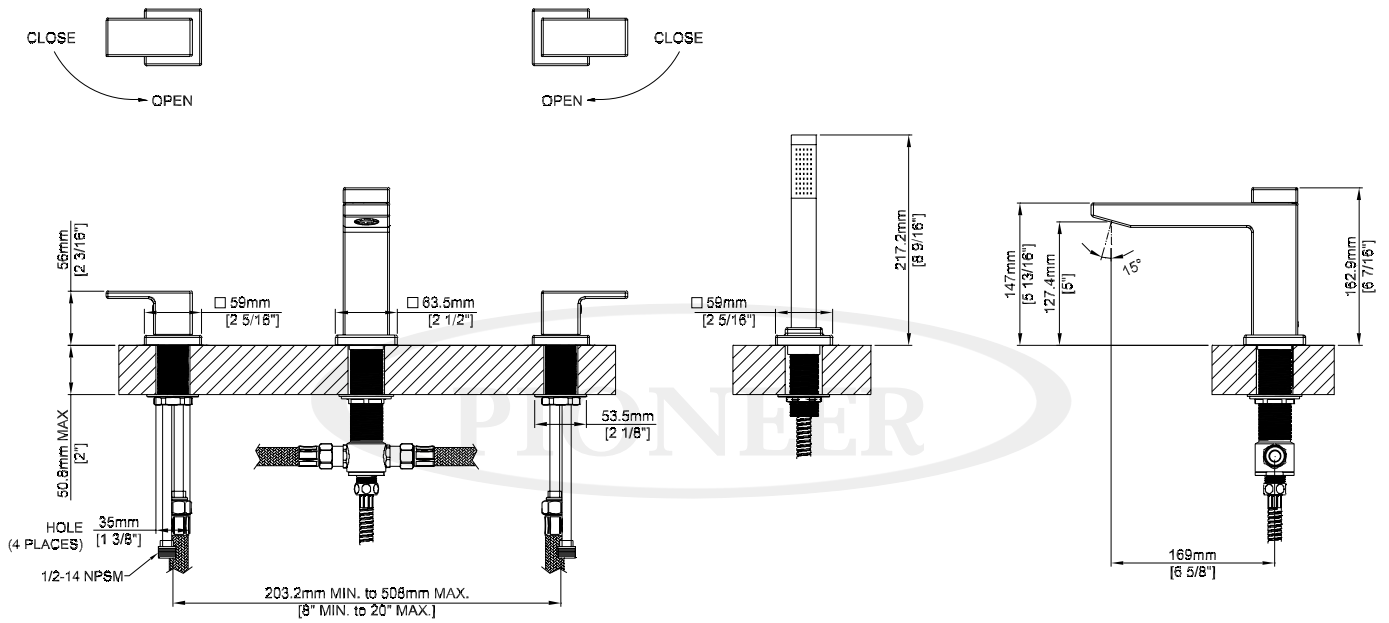
Pioneer:1-800-338-9468
 Commerce, CA 90040
 www.pioneerind.com
 Pioneer Industries, Inc. © 2016

DMSP4MO611/REV. 08 2016

Page 1 of 2

Installation Note:

Please refer to Installation Guide For this Product.



Product Diagram



ENGINEERING EXCELLENCE

Pioneer: 1-800-338-9468

Commerce, CA 90040

www.pioneerind.com

Pioneer Industries, Inc. © 2016