



ENGINEERING EXCELLENCE

Motegi Series #6MT410

SPECIFICATION SHEET

DESCRIPTION

- Handheld Shower Set
- Single Function Handheld Showerhead
- 60" Stainless Steel Flex Hose
- Wall Mount Bracket with Vacuum Breaker

FINISHES

- PC PVD Polished Chrome
- BN PVD Brushed Nickel
- PB PVD Polished Brass
- PN PVD Polished Nickel
- SS PVD Stainless Steel
- ORB Oil Rubbed Bronze



#6MT410 SHOWN * ADA 

STANDARDS APPLICABLE

- ASME A112.18.1
- ANSI A117.1
- CUPC / IAPMO LISTED /ADA COMPLIANT

FLOW

- Showerhead Limited to 1.75 GPM



Certified by IAPMO R&T

Model #: _____

Specific Features: _____

Project Name: _____

Submitted For: _____

| Model | Description | Finishes |
|---------|---------------------|--|
| #6MT410 | Handheld Shower Set | <input type="radio"/> PC <input type="radio"/> Other____ |



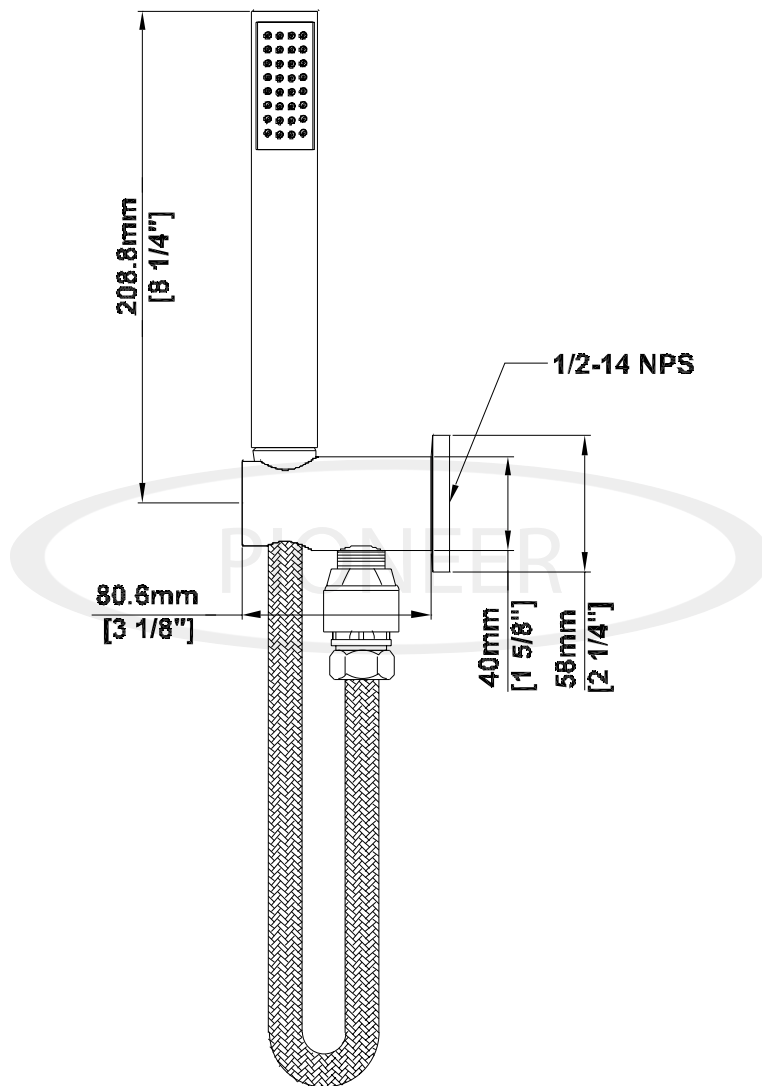
ENGINEERING EXCELLENCE

Pioneer:1-800-338-9468
 Commerce, CA 90040
 www.pioneerind.com
 Pioneer Industries, Inc. © 2013

DMSP6MT410/REV. 12 2012
 Page 1 of 2

Installation Note:

Please refer to the Installation Guide for complete installation instructions



Product Diagram



ENGINEERING EXCELLENCE

Pioneer: 1-800-338-9468
 Commerce, CA 90040
 www.pioneerind.com
 Pioneer Industries, Inc. © 2012