

STERLING®

A KOHLER COMPANY

ENSEMBLE™

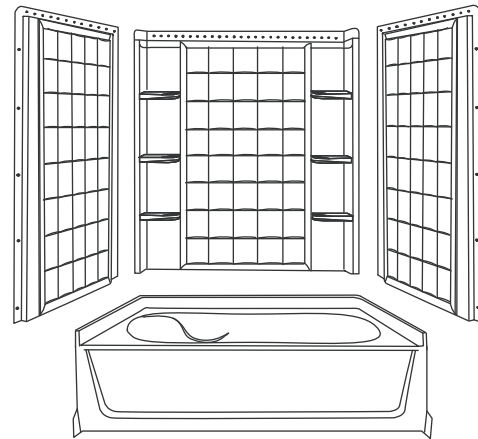
Features

- Compression molded from our exclusive solid Vikrell® material
- Gentle sloping back, neck, and armrest in bath design
- Bath and integral apron eliminates installation step
- Tongue-and-groove 4-piece modular design allows for easy "snap together" installation
- Durable high-gloss finish
- 10-year consumer/3-year commercial limited warranty
- 3" (76 mm) wainscot/tile ledge
- 16" (406 mm) bath depth (floor to top of threshold)
- 60-1/4" (1530 mm) x 37-1/2" (953 mm) x 73-1/4" (1861 mm) complete unit rough-in dimensions include flange
- 60" (1524 mm) x 36" (914 mm) x 72" (1829 mm) complete unit finished dimensions

36" (914 mm) OVAL BATH AND WALL SURROUND

71100110

ALSO 71100120, 71100310, 71100320



Codes/Standards Applicable

Specified model meets or exceeds the following:

- ASTM E162
- ASTM E662
- CSA B45.5/IAPMO Z124
- HUD, UM Bulletin 73A
- NAHB Research Foundation, Inc.

Colors/Finishes

- 0: White
- Other: Refer to Price Book for additional colors/finishes

Specified Model

Model	Complete Unit Description	Colors/Finishes	
71100110	36" (914 mm) oval bath and wall surround, left drain	<input type="checkbox"/> 0	<input type="checkbox"/> Other_____
71100120	36" (914 mm) oval bath and wall surround, right drain (shown)	<input type="checkbox"/> 0	<input type="checkbox"/> Other_____
71100310	36" (914 mm) oval bath and wall surround, left drain - 3 pack	<input type="checkbox"/> 0	<input type="checkbox"/> Other_____
71100320	36" (914 mm) oval bath and wall surround, right drain - 3 pack	<input type="checkbox"/> 0	<input type="checkbox"/> Other_____
Model	Wall Component Description	Colors/Finishes	
71104100	Complete wall set	<input type="checkbox"/> 0	<input type="checkbox"/> Other_____

ENSEMBLE™

Technical Information

Fixture*:	
Basin area:	
Bathing well	40" (1016 mm) x 21" (533 mm)
Top area	52" (1321 mm) x 29" (737 mm)
To overflow:	
Water depth	11" (279 mm)
Capacity	40 gal (151.4 L)
* Approximate measurements for comparison only.	

Model	Door width	Door maximum height
All	58-1/2" (1486 mm)	55-3/4" (1416 mm)

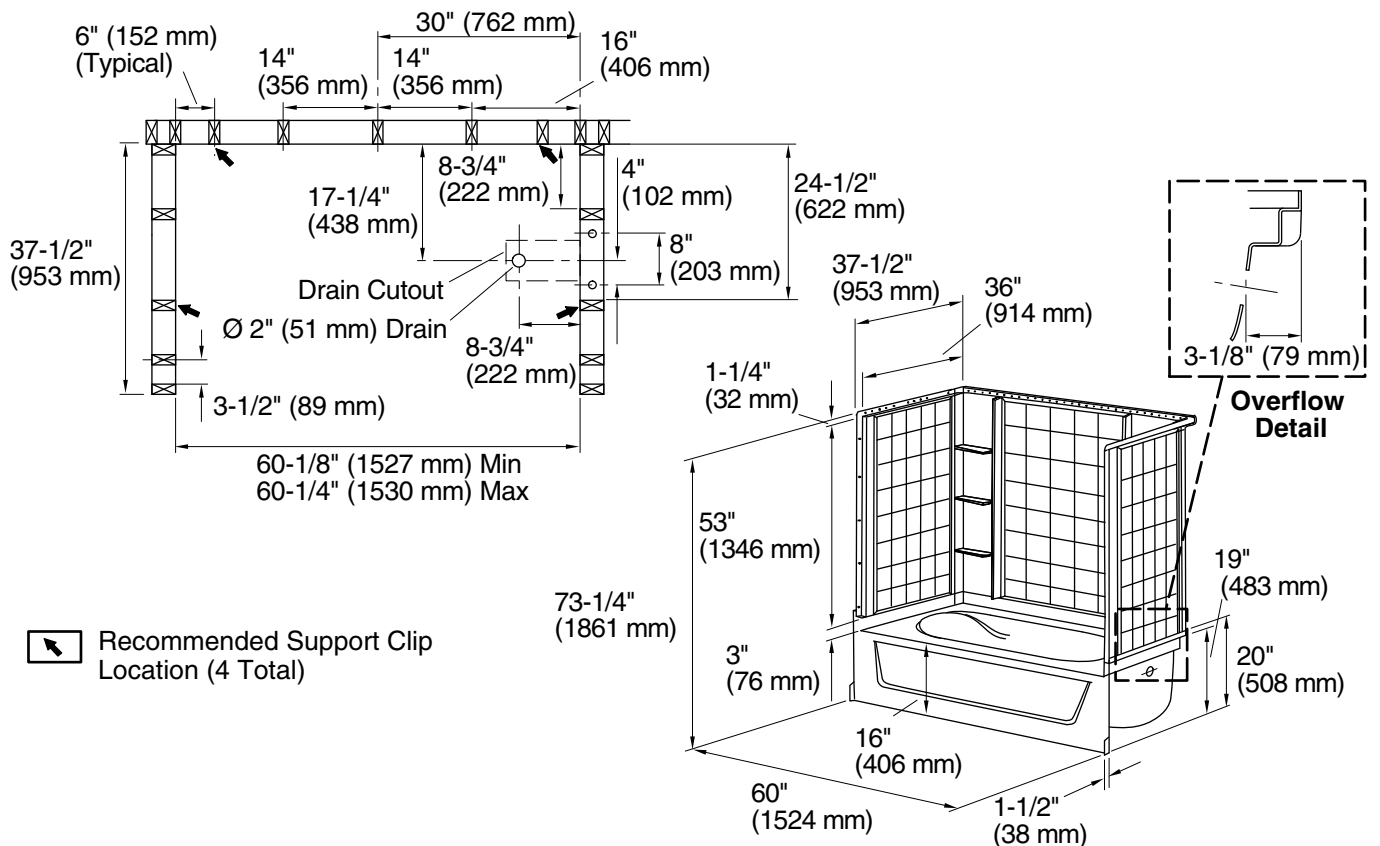
Installation Notes

Install this product according to the installation guide.

Size the drain cutout to fit the drain assembly that will be used.

End stud positioning is critical.

Studs should be positioned roughly as shown.



Product Diagram

ENSEMBLE™ 36" (914 mm) OVAL BATH AND WALL SURROUND

Page 2 of 2
1020184-4-J

STERLING
A KOHLER COMPANY