



Features

- Alcove installation
- 18-3/4" apron
- Solid Vikrell material
- Right drain
- Tongue-and-groove walls with snap-together installation
- High-gloss walls
- No caulk required
- Molded-in shelves
- Dry-Block™ seal and channeled water containment system
- 3" drain-to-floor clearance for above-floor drain installation

Included Components

Product consists of:

- 71374100 60" x 30" Bath/Shower Wall Set
- 71171122 30" AFD Bath



Codes/Standards



- CSA B45.5/IAPMO Z124
- ASTM E162
- ASTM E662
- Greenguard UL 2818 - Gold
- HUD, UM Bulletin 73

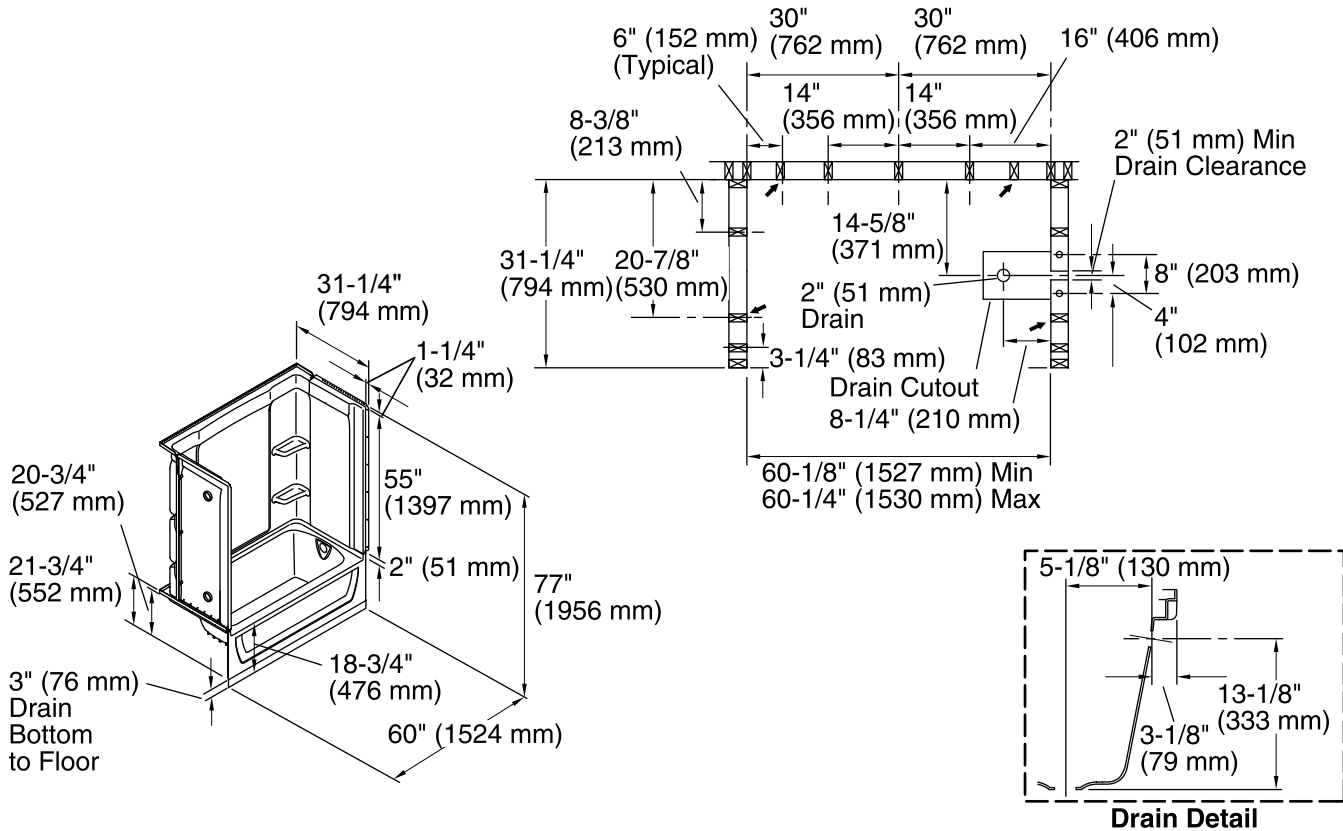
Warranty – Bathing Fixtures (and) Kitchen and Utility Sinks Made of Solid Vikrell® Material

See website for detailed warranty information.

Available Colors/Finishes

Color tiles intended for reference only.

Color	Code	Description
	0	White
	96	KOHLER Biscuit



Technical Information

- All product dimensions are nominal.
- Installation: Three-wall alcove
- Drain location: Right
- Basin area, bottom: 45" x 20" (1143 mm x 508 mm)
- Basin area, top: 53" x 23" (1346 mm x 584 mm)
- Water depth: 11-1/4" (286 mm)
- Water capacity: 44 gal (166.6 L)
- Minimum flat for door: 2-3/4" (70 mm)
- Maximum door height: 56-3/4" (1441 mm)
- Maximum door width: 57-11/16" (1465 mm)

Notes

- Install this product according to the installation instructions.
- Studs should be positioned roughly as shown.
- Double studding is recommended for pivot shower door installations.