



Ensemble™

60" x 32" ED Shower w/ Backer Boards
72180126



Features

- Alcove installation
- 3-1/2" threshold
- Solid Vikrell material
- Durable high-gloss finish
- Right drain
- Three-piece, tongue-and-groove walls with snap-together installation
- Some caulk required
- Convenient shelves, shaving ledge/footrest
- Dry-Block™ seal and channeled water containment system
- Aging in Place backerboards

Included Components

Product consists of:

72181120 60" x 32" End Drain Shower Base

72232106 60" Back Wall w/Backer Boards

72185106 32" Shower End Wall Set w/Backer Board



Codes/Standards

CSA B45.5/IAPMO Z124

ASTM E162

ASTM E662

Greenguard UL 2818 - Gold



HUD, UM Bulletin 73

Warranty – Bathing Fixtures (and) Kitchen and Utility Sinks Made of Solid Vikrell® Material

See website for detailed warranty information.

Available Colors/Finishes

Color tiles intended for reference only.

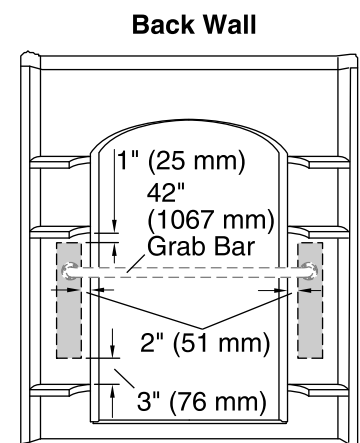
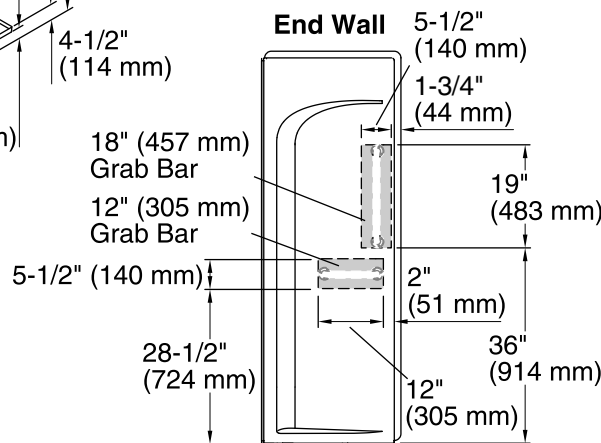
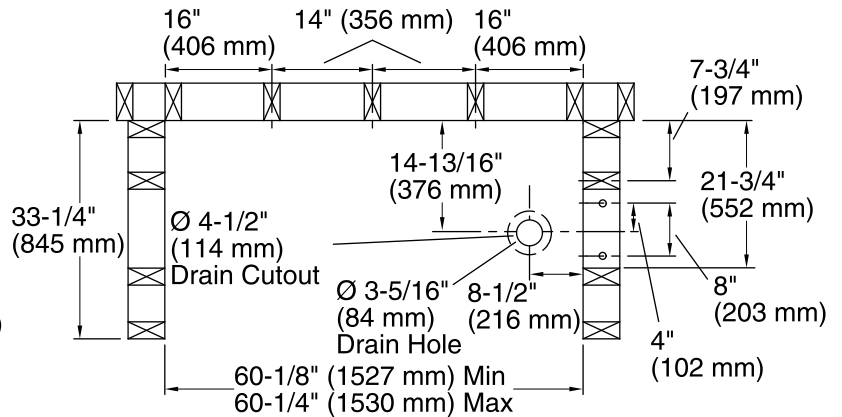
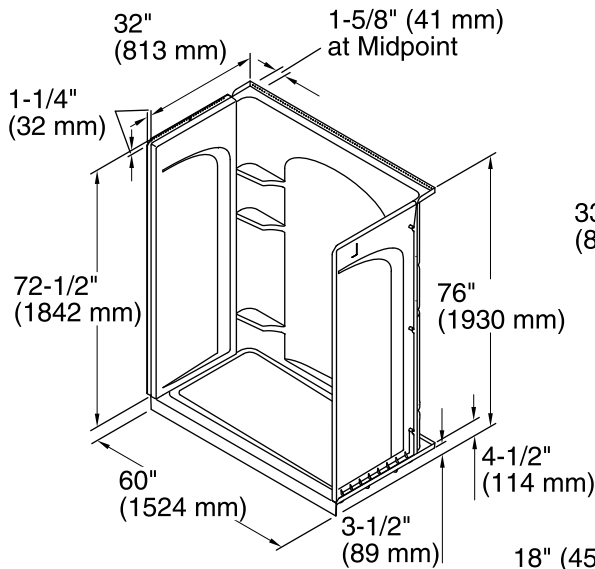
Color	Code	Description
	0	White
	96	KOHLER Biscuit

1-800-STERLING (1-800-783-7546)

Kohler Co. reserves the right to make revisions without notice to product specifications.

For the most current Specification Sheet, go to www.sterlingplumbing.com.

4-26-2019 00:42 - US



Note: Right and left end walls are the same, only mirrored.

Backer board locations

Technical Information

All product dimensions are nominal.

Installation:	Three-wall alcove
Drain location:	Right
Drain hole diameter:	3-5/16" (84 mm)
Weight:	125.4 lbs (56.9 kg)
Minimum flat for door:	3" (76 mm)
Threshold height:	3-1/2" (89 mm)
Maximum door height:	70-1/2" (1791 mm)
Maximum door width:	56-5/8" (1438 mm)

Notes

Install this product according to the installation instructions.

Studs should be positioned as shown.

Double studding is recommended for pivot shower door installations.