

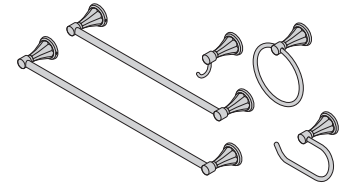


SYMMONS[®] Canterbury[®]
the smart choice[™]

453RH, 453TB-18, 453TB-24, 453TP, 453TR

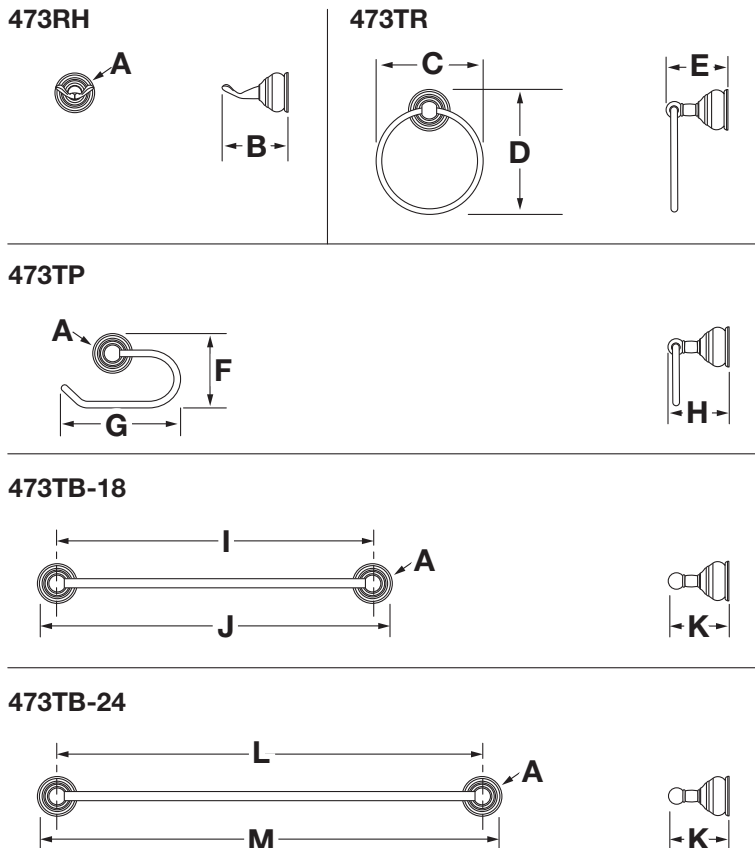
Accessory Suite

Operation & Maintenance Manual



Model Numbers	Specification
<input type="checkbox"/> 453RH <i>Robe Hook</i> <input type="checkbox"/> 453TB-18 <i>18" Towel Bar</i> <input type="checkbox"/> 453TB-24 <i>24" Towel Bar</i> <input type="checkbox"/> 453TP <i>Toilet Paper Holder</i> <input type="checkbox"/> 453TR <i>Towel Ring</i>	All premium accessories constructed from metal materials, plated in standard polished chrome finish.
Modifications	Warranty
<input type="checkbox"/> -STN <i>Satin Nickel finish</i> Note: Append appropriate -suffix to model number.	Limited Lifetime - to the original end purchaser in consumer installations. 5 Years - for commercial installations. Refer to www.symmons.com/warranty for complete warranty information.

Dimensions

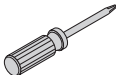
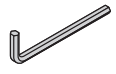
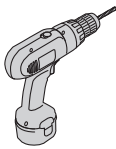


Measurements	
A	Ø 2-1/4", 57 mm
B	3-7/8", 98 mm
C	6", 152 mm
D	7", 178 mm
E	3-1/2", 89 mm
F	4-5/16", 110 mm
G	6-7/8", 175 mm
H	3-1/2", 89 mm
I	18", 457 mm
J	20-1/4", 514 mm
K	3-1/2", 89 mm
L	24", 610 mm
M	26-1/8", 665 mm

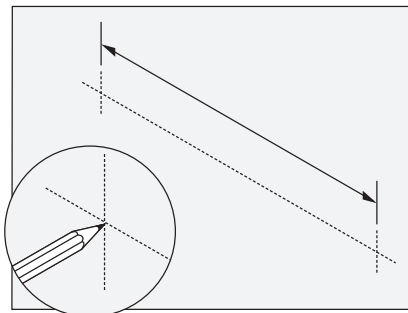
Note: Dimensions subject to change without notice.

Replacement Parts	
Description	Part Number
Mounting Hardware Kit Less Bracket	RA-017
Mounting Hardware Kit With Bracket	RA-020

Installation

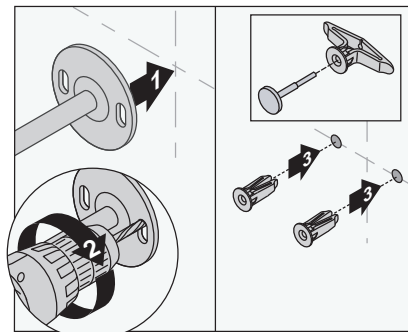
Tools Required for Installation	
Phillips Head Screwdriver	
Allen Wrench 2mm	
Powerdrill	

1) Measure and mark centerlines for mounting bracket installation using dimensions on page 1.



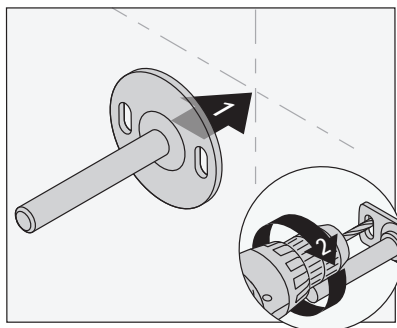
Note: 473TB-18, 473TB-24 only. Make sure both centerline marks are level.

2a) **Dry Wall Option:** Place mounting brackets into desired position. Using brackets as a guide, carefully drill 5/16" holes into wall. Remove brackets and install anchors.

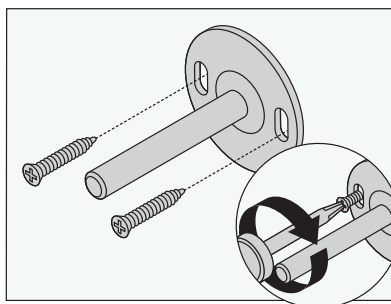


Note: For plaster walls 1/2" thick or less, insert toggle tool into toggle to secure behind wall prior to installing accessory trim.

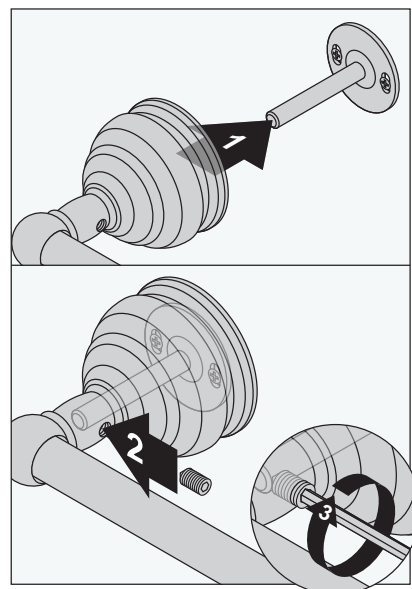
2b) **Stud Option:** Center bracket on centerline. Using brackets as a guide, carefully drill 3/16" holes into wall.



3) With mounting brackets in position, secure to wall using screws.



4) Fully slide accessory body over mounting plate and secure with set screw.



Care and Cleaning

1) Clean finished trim area with a soft cloth using mild soap and water or a non-abrasive cleaner and then quickly rinse with water.

⚠ WARNING: This product can expose you to chemicals including lead, which is known to the state of California to cause cancer, birth defects, or other reproductive harm. For more information, go to www.P65Warnings.ca.gov.