





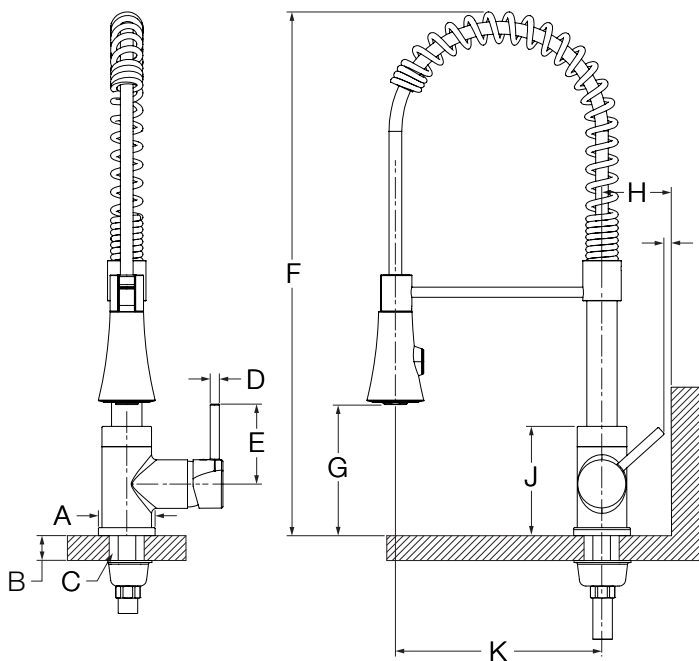
Location:



SPR-3510-PD (CDSK0349-PO-SPR-1.75)
Spring Kitchen Faucet with Pull-Down Wand
Specification Submittal

Model Numbers	Specification	
<input type="checkbox"/> SPR-3510-PD <i>Spring Kitchen Faucet with Pull-Down Wand</i>	Spring Kitchen Faucet with Pull-Down Wand shall include single hole mount configuration, dual function stream to spray wand (faucet will default to stream mode), ceramic cartridge, braided hose connections and standard 2.2 gpm (8.3 L/min) aerator. Faucet shall be made from metal construction, plated in standard polished chrome finish.	
Compliance		
-ASME A112.18.1/CSA B125.1 -NSF/ANSI 61.9, NSF/ANSI 372		
Warranty	Modifications	
Limited Lifetime - to the original end purchaser in consumer/residential installations. 5 Years - for industrial/commercial installations. Refer to www.symmons.com/warranty for complete warranty information.	<input type="checkbox"/> CG -1.75 <input type="checkbox"/> -GH <input type="checkbox"/> -STS	<i>1.75 gpm (6.6 L/min) aerator</i> <i>Gray hose</i> <i>Stainless Steel finish</i> Note: Append appropriate -suffix to model number.

Dimensions



Measurements	
A	Ø 2-3/16", 56 mm
B	Deck Thickness Ref. Max. 1-1/2", 38 mm
C	Hole Size Min. Ø 1-3/4", 44 mm Max. Ø 1-7/8", 48 mm
D	Ø 3/8", 10 mm
E	3-1/8", 79 mm
F	20-3/8", 518 mm
G	5-1/8", 130 mm
H	Min. 3-1/8", 79 mm
I	3/4", 19 mm
J	4-1/4", 108 mm
K	8-1/16", 205 mm

Notes:

- 1) Hoses removed for clarity.
- 2) Dimensions subject to change without notice.