



Location:

Carrington®

4401-TRM, 4401TRMTC
 Shower Trim
Specification Submittal



Feature Highlights

- Carrington Shower Trim
- Requires Temptrol® Pressure Balancing Shower Valve
- Metal lever handle
- 3 mode showerhead
- 2.5 gpm (9.5 L/min) flow restrictor
- Tub spout not included
- Components shall be metal and nonmetallic construction, plated in standard Polished Chrome finish
- Available with TA-10 flow control spindle and T-12A cap assembly for Temptrol valve bodies installed with Test Cap (order p/n 4401TRMTC)

Model Numbers

- 4401-TRM**
Shower Trim, Temptrol Pressure Balancing Shower Valve ordered separately
- 4401TRMTC**
Shower Trim with TA-10 flow control spindle and T-12A cap assembly, must order Temptrol valve with Test Cap

Compliance




- ASME A112.18.1/CSA B125.1



Warranty

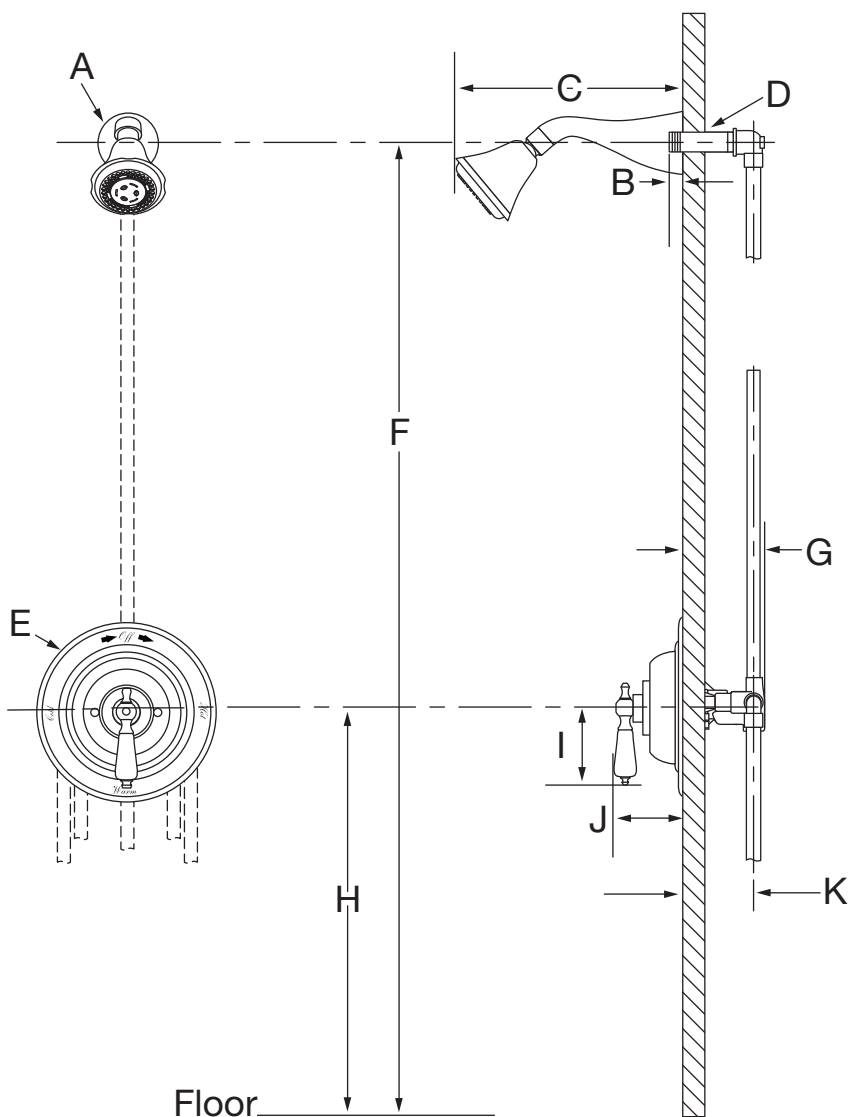
Limited Lifetime - to the original end purchaser in consumer/residential installations.
5 Years - for industrial/commercial installations.
 Refer to www.symmons.com/warranty for complete warranty information.
 Go to www.symmons.com/register to register your Symmons product.

Options/Modifications

- 1.5**  1.5 gpm (5.7 L/min) flow restrictor
- 2.0** 2.0 gpm (7.6 L/min) flow restrictor
- L1** Less showerhead
- LAM**  Metal finish insert handle
- LP**  Loop handle
- REB** Rebuild trim kit, includes TA-10 and TA-4
- VP** Vandal resistant escutcheon screws in place of standard screws
- STN** Satin Nickel finish

Note: Append appropriate -suffix to model number.

Dimensions



Measurements	
A	Ø 2 5/8", 67 mm
B	1/2", 13 mm
C	9 1/4", 235 mm
D	Male 1/2" I.P.S. thread must protrude 1/2" from finished wall
E	Ø 7 1/2", 191 mm
F	77", 1956 mm
G	3 1/8", 79 mm
H	42", 1067 mm
I	3 1/8", 79 mm
J	2 5/8", 67 mm
K	(Rough in) 2" ± 1/2", 51 mm ± 13 mm

Notes:

- 1) Valve body and piping not included and shown as reference only.
- 2) Plaster shield (p/n T-176) for dry wall, plaster or other type walls 1/2" or greater.
- 3) All dimensions measured from nominal rough-in (see K as reference).
- 4) Dimensions subject to change without notice.