






Location:

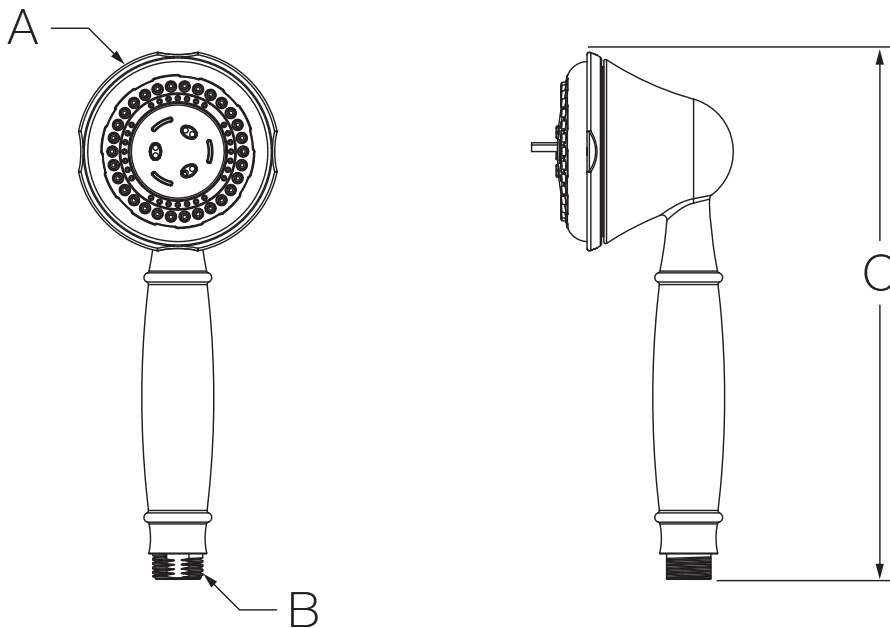
Canterbury[®]



442W 3 Mode Hand Shower Wand Specification Submittal

<p>Feature Highlights</p> <ul style="list-style-type: none"> • 3 mode hand shower wand • 3-1/4" diameter • 2.5 gpm (9.5 L/min) standard flow restrictors • Components shall be nonmetallic construction, plated in standard polished chrome finish 	<p>Compliance</p> <ul style="list-style-type: none"> - ASME A112.18.1/CSA B125.1 - WaterSense at 2.0 gpm (7.6 L/min) only  
<p>Model Numbers</p> <p><input type="checkbox"/> 442W 3 mode hand shower wand</p>	<p>Warranty</p> <p>Limited Lifetime - to the original end purchaser in consumer/residential installations. 5 Years - for industrial/commercial installations. Refer to www.symmons.com/warranty for complete warranty information.</p>
<p>Options/Modifications</p> <p><input type="checkbox"/> -1.5  1.5 gpm (5.7 L/min) flow restrictor</p> <p><input type="checkbox"/> -2.0 2.0 gpm (7.6 L/min) flow restrictor</p> <p><input type="checkbox"/> -STN Satin Nickel finish</p> <p>Note: Append appropriate -suffix to model number.</p>	

Dimensions



Measurements	
A	Ø 3-1/4", 83 mm
B	G-1/2
C	8-1/8", 206 mm

Notes: Dimensions subject to change without notice.